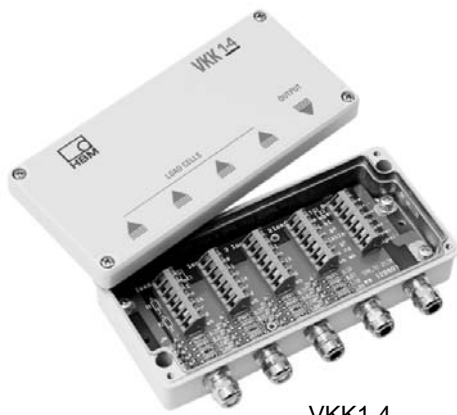


# VKK1-4 VKK1R-4

## Junction boxes

### Special features

- Parallel connection of up to 4 load cells
- Off-center load compensation via integrated resistor network
- EMC-tested per EN 45 501 and EN 61 323 through HBM shielding design
- Degree of protection IP65 to EN 60 529
- VKK1R-4 with stainless housing



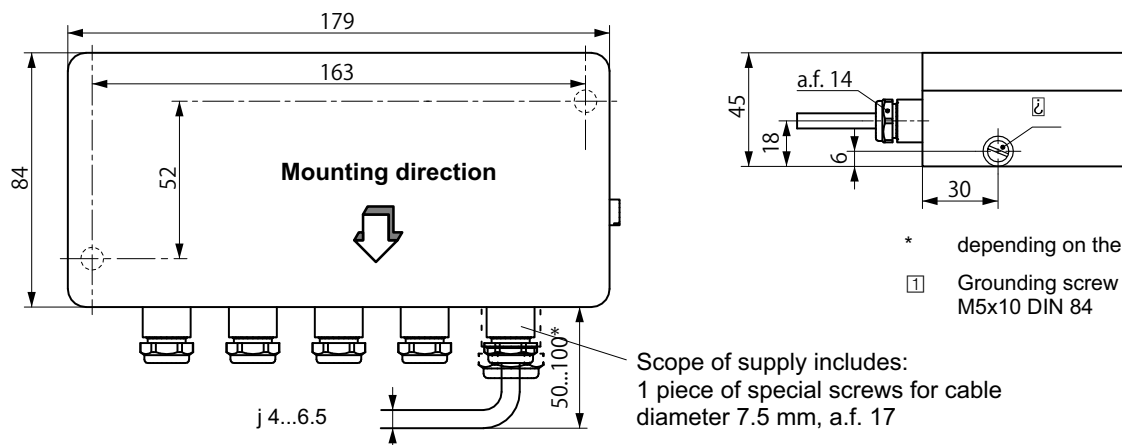
VKK1-4



VKK1R-4

Dimensions (in mm; 1 mm = 0.03937 inches)

### VKK1-4

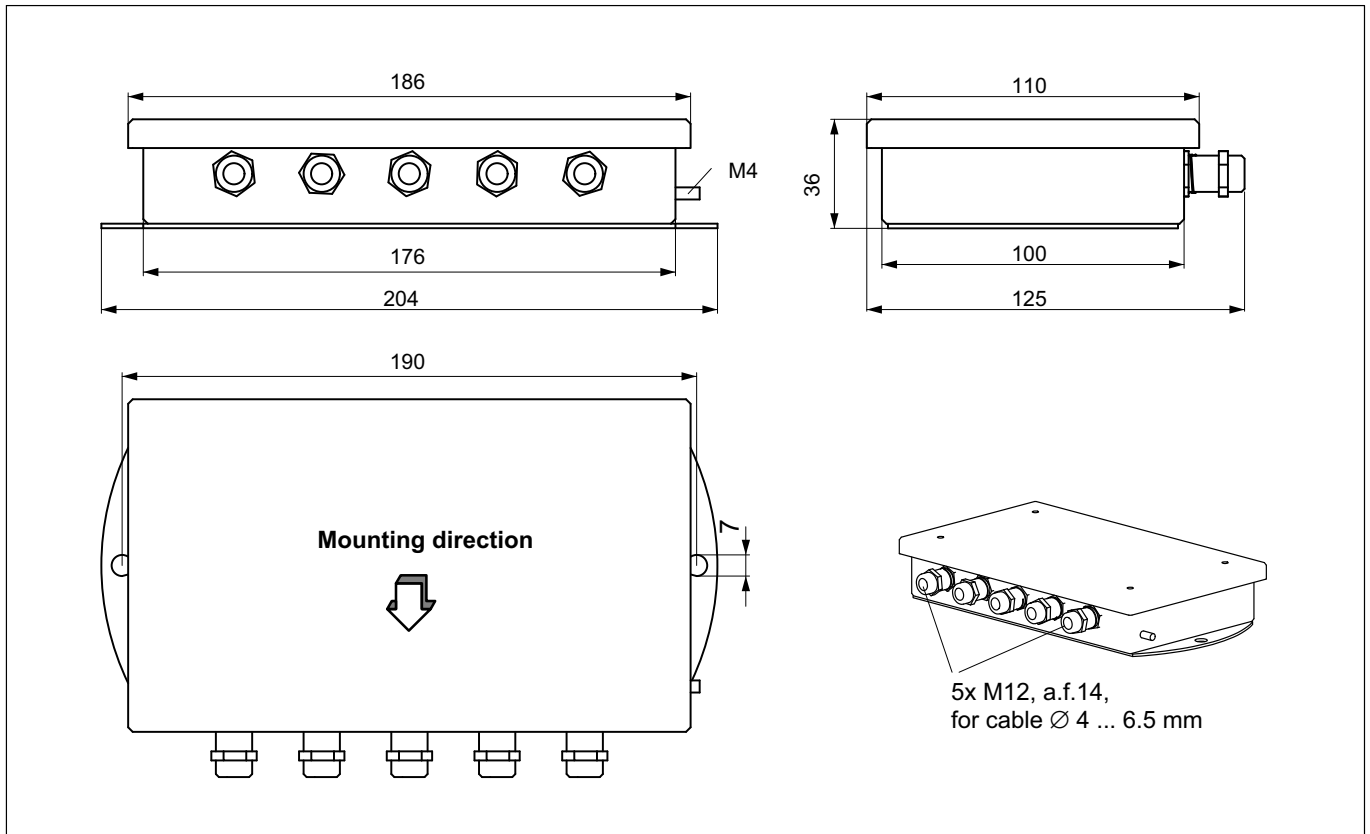


\* depending on the cable type

□ Grounding screw  
M5x10 DIN 84

Suitable fastening screws: M4 DIN 84 or B3.9 DIN 7971 (minimum screw length 20 mm)

**Dimensions VKK1R-4 (in mm; 1 mm = 0.03937 inches)**

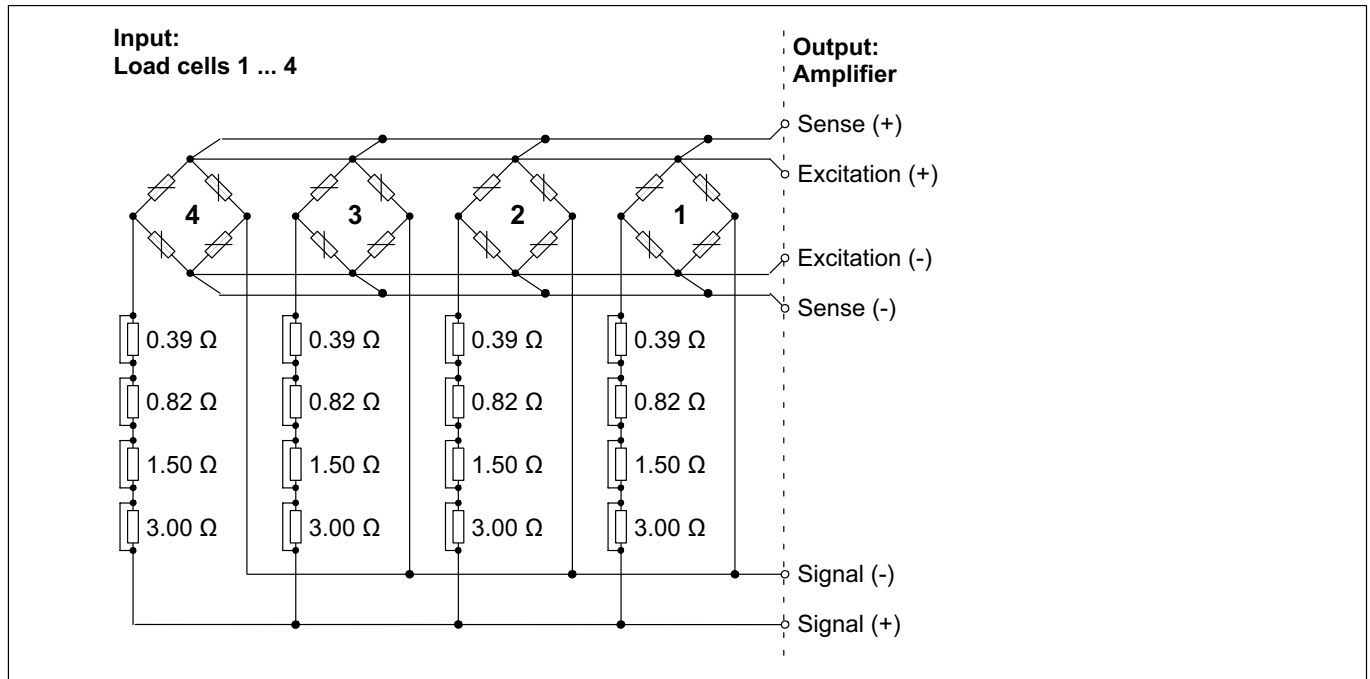


**Specifications**

Type		VKK1-4	VKK1R-4
<b>Resistor network for off-center load compensation</b>	Ω	0.39...5.71 (in 15 steps)	
<b>Max. permissible voltage</b>	V	18	
<b>Nominal temperature range</b>		-20...+85 [-4...+185]	
<b>Operating temperature range</b>	°C [°F]	-20...+85 [-4...+185]	
<b>Storage temperature range</b>		-40...+85 [-40...+185]	
<b>EMI test</b>			
Electromagnetic field (26...1000 MHz)	V/m	10	
Burst (to connected cables)	V	1000	
Electrostatic discharge (to housing)	V	6000	
<b>Weight, approx.</b>	kg	1	1.5
<b>Max. wire cross section of cable strands</b>	mm <sup>2</sup>	1.5	
<b>Degree of protection according to EN 60529 (IEC 529)</b>		IP65 (dust-tight and protected against water jets)	
<b>Materials</b>			
Housing		Diecast aluminum, coated (color: RAL 7035)	Stainless steel
Sleeve nut		PG7, SW14, nickel-plated brass	M12, SW14, nickel-plated brass
Clamping cone		Neoprene, for cable-Ø 4...6.5 mm <sup>1)</sup>	Neoprene, für cable-Ø 4...6.5 mm

1) Scope of supply includes: 1 piece of special screws for cable diameter 7.5 mm, a.f. 17

## Resistor network in the junction box for off-center load compensation with 4 load cells









### Function of the integrated resistor network

The resistor network enables off-center load compensation for a scale to be easily made, if required.

Three steps have to be taken:

1. Load scale corners.
2. Read correction value from diagram (mounting instructions).
3. Activate compensation resistor.

## Survey of HBM junction boxes

	Type	Signal	Number of load cells that can be connect	Degree of protection	Housing material	EMC protection
	<b>VKK1-4</b> Order no.: 1-VKK1-4A	Analog	2 ... 4	IP65	Aluminium diecast	yes
	<b>VKK1R-4</b> Order no.: 1-VKK1R-4	Analog	2 ... 4	IP65	Stainless steel	yes
	<b>VKK2-8</b> Order no.: 1-VKK2-8	Analog	3 ... 8	IP65	Sheet steel, powder coated	yes
	<b>VKK2R-8</b> Order no.: 1-VKK2R-8	Analog	3 ... 8	IP65	Stainless steel	yes
	<b>VKK2R-8EX</b> Order no.: 1-VKK2R-8EX	Analog	3 ... 8	IP65	Stainless steel	yes
	<b>VKK2R-8 DIGITAL</b> Order no.: 1-VKK2R-8DIGITAL	Digital	3 ... 8	IP65	Stainless steel	yes

Subject to modifications.  
All product descriptions are for general information only. They are not to be understood as a guarantee of quality or durability.

托驰 (上海) 工业传感器有限公司  
上海市嘉定区华江路348号1号楼707室  
电话: +86 021 51069888  
传真: +86 021 51069009  
邮箱: zhang@yanatoo.com  
网址: www.sensor-hbm.com

measure and predict with confidence

