

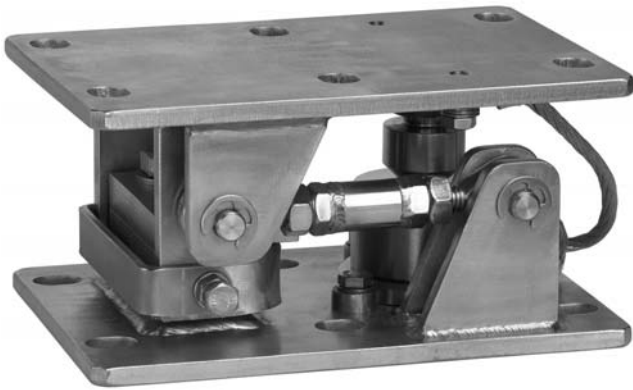
# RTN/M2(L)B...

Weighing module for RTN  
load cells 1 t ... 33 t

## Special features

- Compact design
- Designed with pendulum bearings
- Integrated anti-lift device
- Integrated horizontal stops
- Load cell dummy in scope of delivery
- Rust-resistant materials up to nominal load 22 t
- With stay rod (also available without stay rod)
- TÜV certified

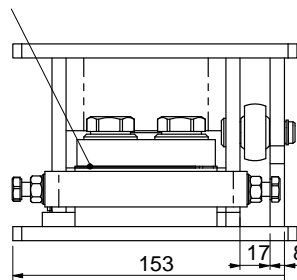
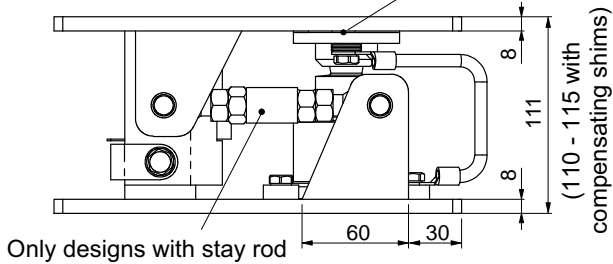
Data sheet



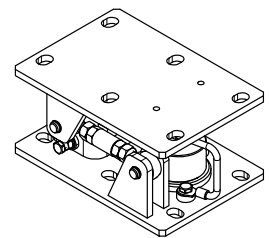
Dimensions (in mm; 1 mm = 0.03937 inches)

Maximum capacity 1 t ... 4.7 t

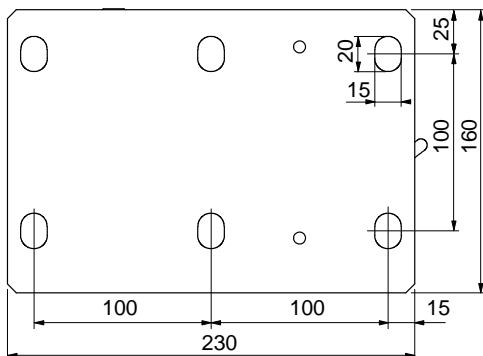
max. 5 compensating shims



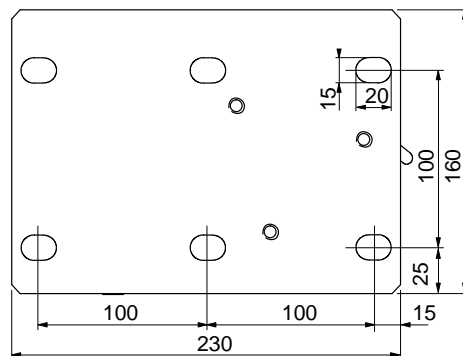
Perspective view:



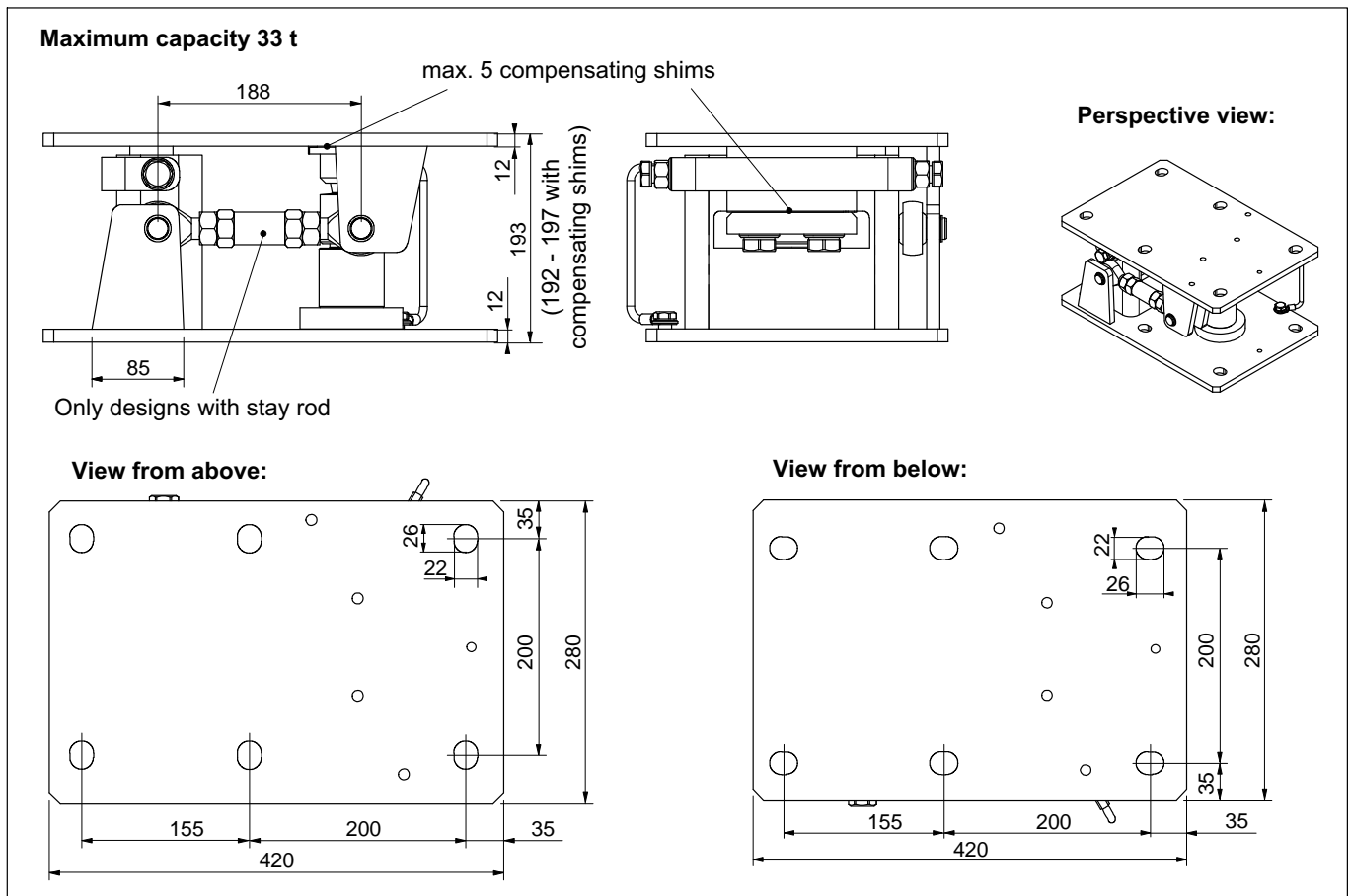
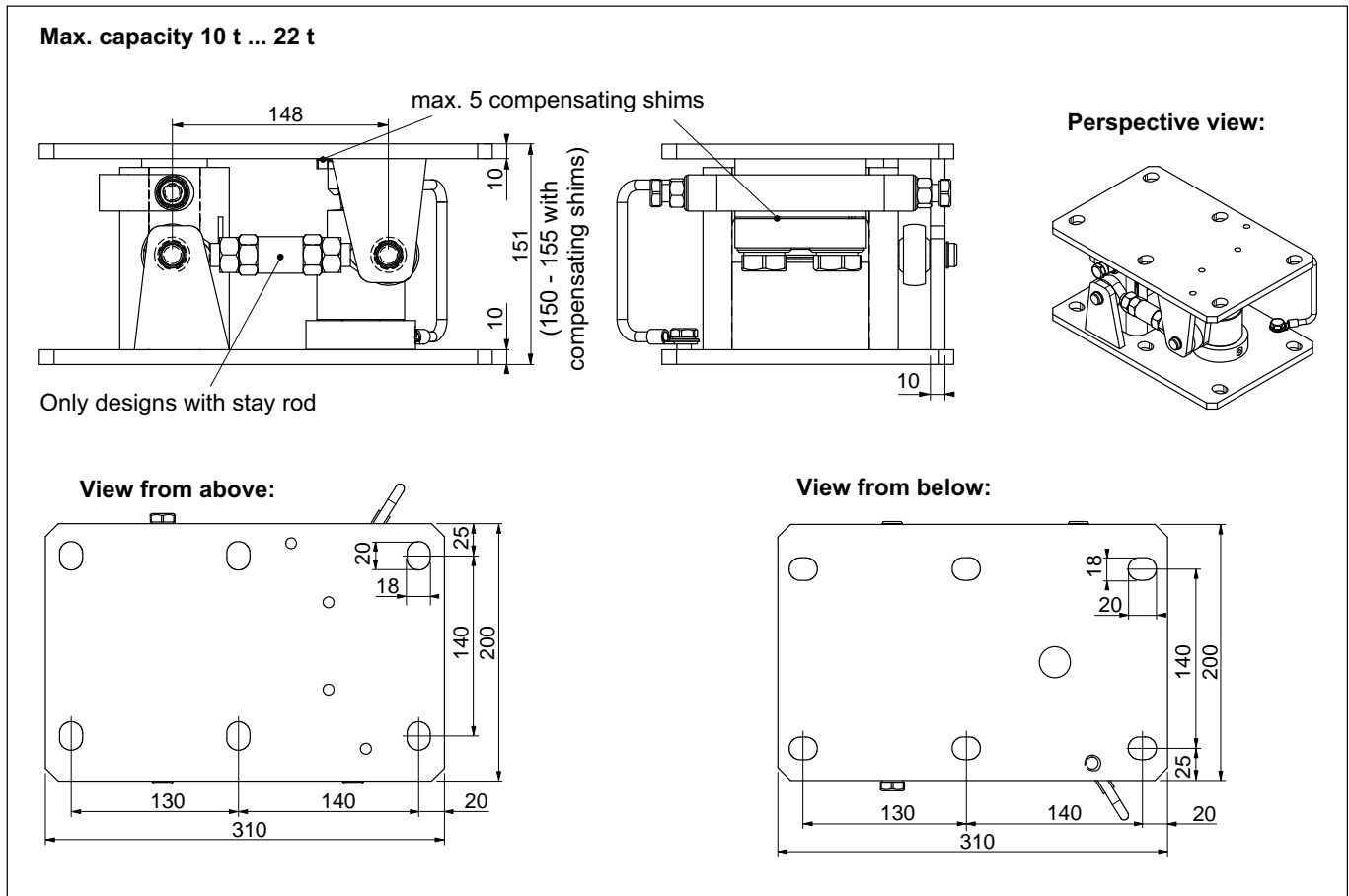
View from above:



View from below:



**Dimensions (in mm; 1 mm= 0.03937 inches)**



## Specifications

Type		RTN/M2LBR4.7T			RTN/M2LBR22T			RTN/M2LB33T
Max. capacity ( $E_{max}$ ) of load cell	t	1	2.2	4.7	10	15	22	33
Limit load		150						
Max. permissible loading of horizontal stops transverse to stay rod axis	% of $E_{max}$	10						
Restoring force per 1 mm deflection [% of applied load]		16.5		16.5	13			8.2
Max. permissible horizontal deflection	mm	1.5		1.3	2			3.5
Max. permissible lifting force <sup>1)</sup>	kN	20			50			50
Max. permissible horizontal force in stay rod axis <sup>1)</sup>	kN	10			30			50
Material metall components		Stainless steel <sup>2)</sup>						Zinc galvanized
Weight (with dummy), approx.	kg	9.5			20			41
Min. lifting height to install load cell	mm	10						
Height adjustment with supplied shims	mm	5						

<sup>1)</sup> Specifications based on DIN 18800

<sup>2)</sup> As per EN 10088-1

## Product variants

Order number	Maximum capacity	Material	Design
1-RTN/M2LBR4.7T	4.7 t	Stainless steel	WITH stay rod
1-RTN/M2BR4.7T			WITHOUT stay rod
1-RTN/M2LBR22T	10 t ... 22 t	Stainless steel	WITH stay rod
1-RTN/M2BR22T			WITHOUT stay rod
1-RTN/M2LB33T	33 t	Zinc galvanized	WITH stay rod
1-RTN/M2B33T			WITHOUT stay rod

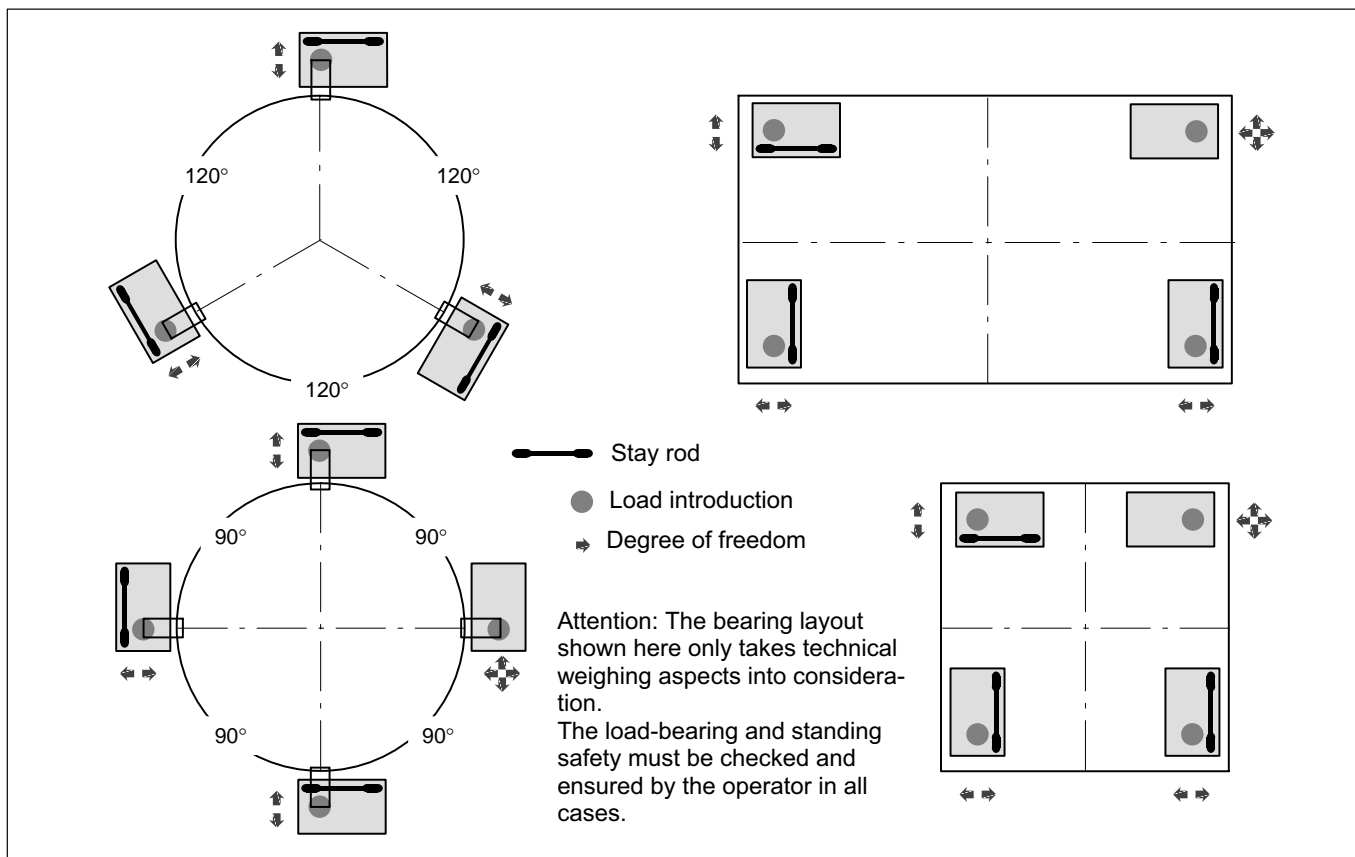
## Scope of supply

Complete mounted weighing module with lateral stay bar (without RTN load cell).

**Attention:** A dummy is installed in place of the load cell. This is set up according to the specifications listed above. Please note that the container must be raised in mounted condition by min. 10 mm in order to replace the dummy with a load cell.

Additional information about the relevant load cells can be found in our RTN load cells data sheet.

## Installation examples of weighing modules with stay rods



## Further accessories

RTN fixed bearing with same installation height as the module. Further information can be found in a separate data sheet.



Subject to modifications.  
All product descriptions are for general information only. They are not to be understood as a guarantee of quality or durability.

托驰（上海）工业传感器有限公司  
上海市嘉定区华江路348号1号楼707室  
电话：+86 021 51069888  
传真：+86 021 51069009  
邮箱：zhang@yanatoo.com  
网址：www.sensor-hbm.com

measure and predict with confidence

