

Mounting Instructions | Montageanleitung | Notice de montage | Istruzioni per il montaggio

English

Deutsch

Français

Italiano



U2A

托驰（上海）工业传感器有限公司
上海市嘉定区华江路348号1号楼707室
电话: +86 021 51069888
传真: +86 021 51069009
邮箱: zhang@yanatoo.com
网址: www.sensor-hbm.com

Subject to modifications.
All product descriptions are for general information only.
They are not to be understood as a guarantee of quality or
durability.

Änderungen vorbehalten.
Alle Angaben beschreiben unsere Produkte in allgemeiner
Form. Sie stellen keine Beschaffenheits- oder Haltbarkeits-
garantie dar.

Sous réserve de modifications.
Les caractéristiques indiquées ne décrivent nos produits
que sous une forme générale. Elles n'impliquent aucune
garantie de qualité ou de durabilité.

Con riserva di modifica.
Tutti i dati descrivono i nostri prodotti in forma generica e non
implicano alcuna garanzia di qualità o di durata dei prodotti
stessi.

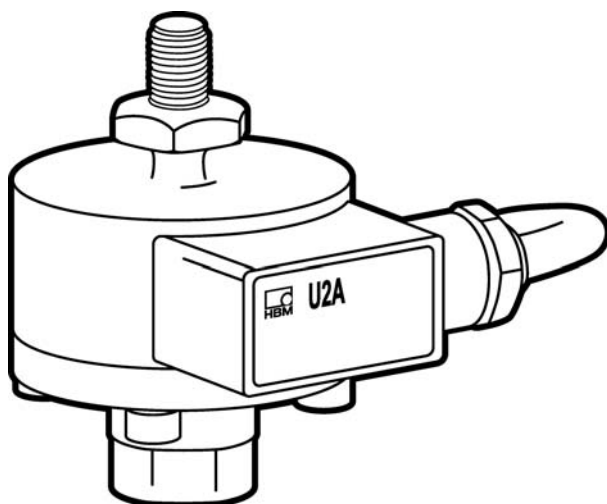
**Mounting Instructions | Montageanleitung |
Notice de montage | Istruzioni per il montaggio**

English

Deutsch

Français

Italiano



U2A

1	Safety instructions	3
2	Markings used	5
2.1	The markings used in this document	5
2.2	Symbols on the product	5
3	Conditions at the site of installation	6
3.1	Ambient pressure	6
3.2	Special information	6
4	Mounting instructions	7
5	Load introduction	8
6	Connection	9
6.1	Notes on cable routing	9
6.2	Connection technique	9
6.3	Parallel connection of more than one transducer	10
6.4	Connections using the four-wire technique	10
6.5	Cable extension	10
6.6	Notes on cable routing	10
7	Specifications	11
7.1	Mechanical Data	13
7.2	Options	13
8	Dimensions	14
8.1	Transducer	14
8.2	Mounting accessories	15

1 Safety instructions

In cases where a breakage would cause injury to persons or damage to equipment, the user must take appropriate safety measures (such as fall protection, overload protection, etc.). For safe and trouble-free operation, the load cell must not only be correctly transported, stored, sited and installed but must also be carefully operated and maintained.

It is essential to comply with the relevant accident prevention regulations. In particular you should take into account the limit loads quoted in the specifications.

Use in accordance with the regulations

U2A... type load cell is conceived for weighing applications. Use for any additional purpose shall be deemed to be *not* in accordance with the regulations.

In the interests of safety, the load cell should only be operated as described in the Mounting Instructions. It is also essential to observe the appropriate legal and safety regulations for the application concerned during use. The same applies to the use of accessories.

The load cell is not safety element within the meaning of its use as intended. Proper and safe operation of this load cell requires proper transportation, correct storage, assembly and mounting and careful operation and maintenance.

General dangers due to non-observance of the safety instructions

The U2A... load cell correspond to the state of the art and are fail-safe. The load cell can give rise to residual dangers if it is inappropriately installed and operated by untrained personnel.

Everyone involved with the installation, commissioning, maintenance or repair of a force transducer must have read and understood the Mounting Instructions and in particular the technical safety instructions.

Residual dangers

The scope of supply and performance of the load cells covers only a small area of weighing technology. In addition, equipment planners, installers and operators should plan, implement and respond to the safety engineering con-

siderations of weighing technology in such a way as to minimize residual dangers. Prevailing regulations must be complied with at all times. There must be reference to the residual dangers connected with weighing technology.

Environmental conditions

In the context of your application, please note that all materials which release chlorine ions will attack all grades of stainless steel and their welding seams. In such cases the operator must take appropriate safety measures.

Prohibition of own conversions and modifications

The load cell must not be modified from the design or safety engineering point of view except with our express agreement. Any modification shall exclude all liability on our part for any damage resulting therefrom.

Qualified personnel

This load cell is only to be installed by qualified personnel strictly in accordance with the technical data and with the safety rules and regulations which follow. It is also essential to observe the appropriate legal and safety regulations for the application concerned. The same applies to the use of accessories.

Qualified personnel means persons entrusted with the installation, fitting, commissioning and operation of the product who possess the appropriate qualifications for their function.

Accident prevention

Although the specified nominal capacity in the destructive range is several times the full scale value, the relevant accident prevention regulations from the trade associations must be taken into consideration.


Option: Explosion proof version

- Users must comply with all relevant erection regulations during installation.
- The installation conditions listed in the certificate of conformity and/or type examination certificate must be complied with.

2 Markings used

2.1 The markings used in this document

Important instructions for your safety are specifically identified. It is essential to follow these instructions in order to prevent accidents and damage to property.

Symbol	Significance
 CAUTION	This marking warns of a <i>potentially</i> dangerous situation in which failure to comply with safety requirements <i>can</i> result in slight or moderate physical injury.
Notice	This marking draws your attention to a situation in which failure to comply with safety requirements <i>can</i> lead to damage to property.
<i>Emphasis</i> See....	Italics are used to emphasize and highlight text and references to other chapters and external documents.

2.2 Symbols on the product

CE mark



The CE mark enables the manufacturer to guarantee that the product complies with the requirements of the relevant EC directives (the declaration of conformity is available at <http://www.hbm.com/HBMdoc>).

3 Conditions at the site of installation

3.1 Ambient pressure

The ambient pressure for transducers may be between 0 and 5 bar. Please note that pressure changes may shift the zero output signal.

Nominal (rated) load	kg t	50	100	200	500	1	2	5	10	20
Change of zero point [%/10 mbar]		0.065	0.032	0.016	0.006	0.003	0.006	0.003	0.002	0.001

3.2 Special information

The U2A transducers are produced entirely from non-rusting materials. The user must test for resistance to aggressive environmental conditions in each individual case.

4 Mounting instructions

- Handle the transducer carefully.
- The transducer seating must be horizontal, even and, together with the transducer mounting surface, it must be absolutely clean.
- Dust, dirt and other particles are not to accumulate such that they affect the load cell's mobility and thus falsify the measured value. Use a cover plate to protect the load cell from external mechanical influences.
- Do not overload the transducers (e.g. by unevenly distributed loads; if necessary, provide overload protection (e.g. supports)).
- Each transducer should be shunted by a stranded copper cable (approx. 16 mm²) during or immediately after installation, in order to prevent any welding or lightning currents flowing through the transducer.

5 Load introduction

The transducers of the series U2A measure tension as well as compression loads in the axial direction.

A threaded bolt on top of the housing and an internal thread on the adapter are provided for the application of tensile loads (preferred direction).

HBM recommends the use of knuckle eyes to provide a connection free of side force and moment. Knuckle eyes are suitable for use under quasi-static loading (alternating load ≤ 10 Hz). When used under alternating loads, it is essential that the transducer is installed without any axial play.

Please note the listed tightening torques for screw connecting the threaded bolt and internal thread. Under no circumstances must these tightening torques reach the transducer. If used without an adapter, make sure that the bearing surface is clean and carefully machined flat and that the screw connections are tightened properly at the base of the load cell.

6 Connection

6.1 Notes on cable routing

Electrical and magnetic fields often cause the introduction of disturbing voltages into the measuring circuit.

Please note the following hints:

- Use only screened, low capacitance measuring cable (cable from HBM full-fills these requirements).
- Do not lay the measuring cable parallel to power and control lines. If this is not possible (e.g. in cable ducts), the measuring cable can be protected, e.g. by steel conduit.
- The stray fields of transformers, motors and contactors must be avoided.

6.2 Connection technique

Strain-gage based load cells can be connected to:

- carrier frequency
- DC-measuring amplifiers.

The transducer connection is implemented using the six-wire technique. The connection assignment can be taken from the following illustration.

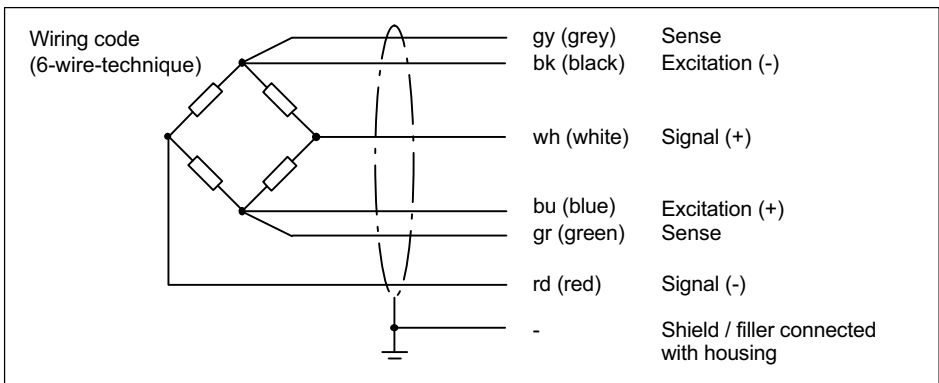


Fig. 6.1 Transducer with six-core cable

6.3 Parallel connection of more than one transducer

The transducers are connected in parallel electrically by joining together the core ends of the transducer connection cables having the same color.



CAUTION

An overload of individual load cells cannot be detected from the output signal.

6.4 Connections using the four-wire technique

With connections to amplifiers using the four-wire technique the cores bu (blue) and gn (green) should be connected together, as should bk (black) and gr (grey). Please take in account that this causes deviations to the sensitivity and the temperature coefficient of sensitivity that this causes.

6.5 Cable extension

Extension cables must be screened and of the low capacitance type. We recommend the use of HBM cables which fulfil these requirements. For cable extensions, care must be taken to ensure a satisfactory connection with the lowest possible transfer resistance and good insulation.

When using the six-wire technique, the effects of resistance changes in the extension cable are compensated. If you extend the cable with the four-wire technique, the sensitivity deviation can be rectified by adjustment. Temperature effects though are only compensated with the operation using six-wire technique.

6.6 Notes on cable routing

The load cell connecting cable should be routed so that any condensed water or dampness forming on the cable can drip off. It must not be led to the load cell. In addition, it must be ensured that no dampness can penetrate the open end of the cable.

7 Specifications

Type			U2A		
Accuracy class			0.2	0.1	D1
Max. numbers of load cell verification intervals	n_{LC}		-	-	1000
Max. capacity	E_{max}	kg	50	100, 200	500
		t	-	10, 20	1, 2, 5
Minimum load cell verification interval	v_{min}	% of E_{max}	-	-	0.0286
Sensitivity	C_N	mV/V	2		
Tolerance on sensitivity					
with tensile loads		%	$< \pm 0.20$	$< \pm 0.20$	$< \pm 0.20$
with compressive loads		%	$< \pm 1.50$	$< \pm 0.50$	$< \pm 0.50$
Temperature effect on sensitivity ¹⁾	TK_C				
in nominal temperature range		%/10 K	$< \pm 0.05$		
in operating temperature range		%/10 K	$< \pm 0.10$		
Temperature effect on zero balance	TK_0				
in nominal temperature range		%/10 K	$< \pm 0.05$	$< \pm 0.04$	
in operating temperature range		%/10 K	$< \pm 0.10$	$< \pm 0.05$	
Hysteresis error ¹⁾	d_{hy}		$< \pm 0.15$		$< \pm 0.05$
Non-linearity ¹⁾	d_{lin}	% v. C_N	$< \pm 0.20$ $< \pm 0.10$		$< \pm 0.05$
Creep over 30 min.	d_{cr}		$< \pm 0.06$		$< \pm 0.05$
Input resistance	R_{LC}	Ω	340 ... 450		
Output resistance	R_0	Ω	356 ± 0.2		
Insulation resistance	R_{is}	$G\Omega$	> 5		

Type			U2A		
Accuracy class			0.2	0.1	D1
Reference excitation voltage	U_{ref}	V	5		
Nominal range of excitation voltage	B_U	V	0.5 ... 10	0.5 ... 12	
Max. supply voltage		V	12	18	
Nominal temperature range	B_T	°C [°F]	-10 ... + 40 [+14...+104]		
Operating temperature range	B_{tu}		-30 ... + 85 [-22...185] (-30 ... +120) ²⁾ [-22...+248] ²⁾		
Storage temperature range	B_{tl}		-50 ... + 85 [-58 ... 185]		
Safe load limit	E_L	% of E_{max}	130	150	150
Breaking load	E_d		300		
Rel. stat. lateral load limit	E_{lq}		25		
Permissible dynamic load (peak to peak according to DIN 50100)	F_{srel}		100	160	
Protection class acc. to EN 60529 (IEC 529)			IP67		
Material Measuring body Cable gland Cable sheath			Stainless steel ³⁾ Nickel plated brass, silicone Thermoplast. elastomere		

- 1) The data for Non-Linearity (d_{lin}), Hysteresis error (d_{hy}) and Temperature effect on sensitivity (TK_C) are typical values. The sum of these data meets the requirements according to OIML R60.
- 2) Optionally available with extended operating temperature range.
- 3) According to EN 10088-1

7.1 Mechanical Data

Max. capacity [t]	Nominal (rated) displacement, s_{nom} , approx.[mm]	Weight, (G) approx. [kg]	Cable length [m]
0.05	< 0.1	0.8	3
0.1	< 0.1	0.8	3
0.2	< 0.1	0.8	3
0.5	< 0.1	0.8	3
1	< 0.1	0.8	3
2	< 0.07	2.9	6
5	< 0.07	4.3	6
10	< 0.09	10.7	12
20	< 0.09	15.9	12

7.2 Options

- Service temperature range extended to 120 °C [248 °F] (not possible in connection with ATEX 95)

Explosion-proof versions according to ATEX 95

- II 2 G EEx ia IIC T4 resp. T6 (Zone 1)¹⁾
- II 2 D Ex tD A21 IP67 T80 °C (Zone 21)¹⁾
- II 3 G EEx nA II T6 (Zone 2)
- II 3 D IP67 T80 °C (Zone 22 for non-conductive dust)

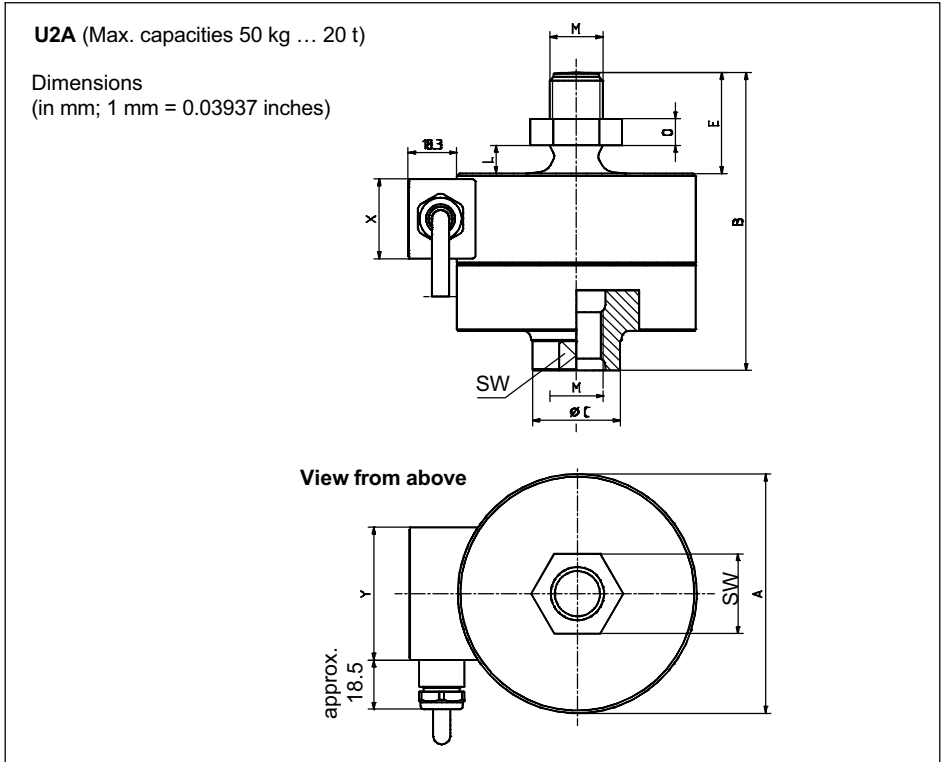
Accessories, to be ordered separately

- Knuckle eye U2A, above, U2A/.../ZGOW
- Knuckle eye U2A, below, U2A/.../ZGUW
- EEK Grounding cable

¹⁾ with EC-type examination certificate

8 Dimensions

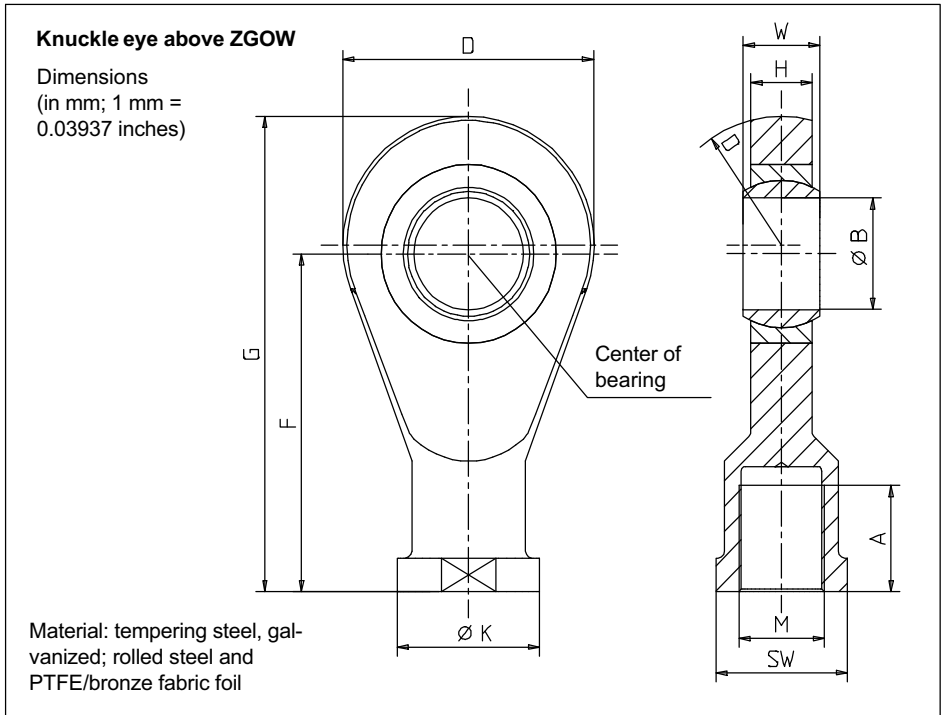
8.1 Transducer



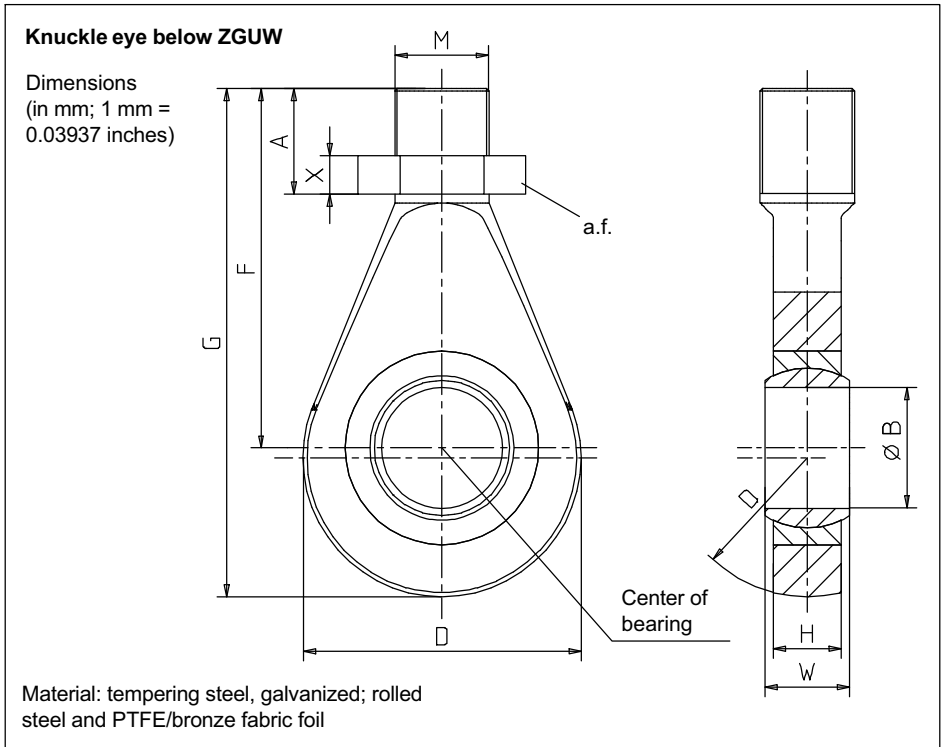
Max. capac. [t]	$\varnothing A_{0,2}$	B	C	E	L_{min}	M	O	SW	X	Y
0.05 ... 1	50	72	21	24	5 ¹⁾	M12	6	19	20	35
2	90	112	33	38	10.6	M20x1.5	10	30	30	50
5	100	141	40	47	13.2	M24x2	12	36	30	50
10	135	197	68	67	19	M39x2	19	60	30	50
20	155	232	82	85	24.2	M48x2	22	70	30	50

1) with U2A/1t: 7.4 mm

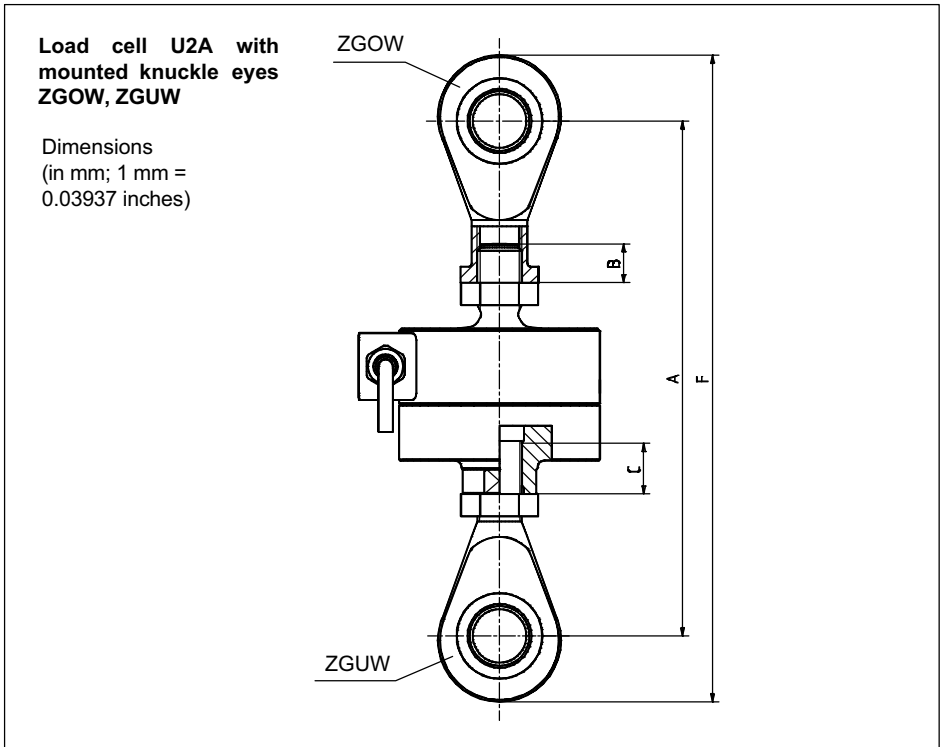
8.2 Mounting accessories



Max. capacity [t]	Knuckle eye ZGOW	Weight [kg]	A	ØB	D	F	G	H	ØK	M	a.f.	W
0.05...1	U2A/1T/ ZGOW	0.2	22	12 ^{H7}	32	50	66	12	22	M12	19	16
2	U2A/2T/ ZGOW	0.5	33	20 ^{H7}	50	77	102	18	34	M20 x1.5	32	25
5	U2A/5T/ ZGOW	0.8	42	25 ^{H7}	60	94	124	22	42	M24 x2	36	31
10	U2A/10T /ZGOW	3.2	50	50 ^{+0.002 -0.014}	115	151	212.5	28	65	M39 x2	60	35
20	U2A/20T /ZGOW	4.8	60	60 ^{+0.00 -0.018}	126	167	235	36	82	M48 x2	70	44



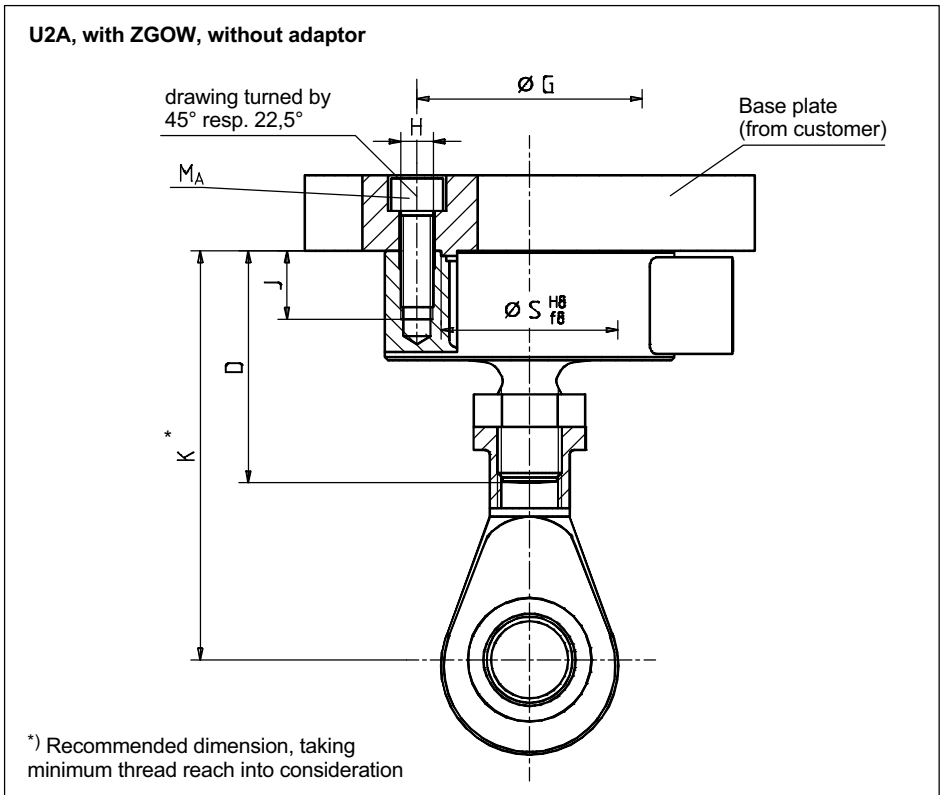
Max. capacity [t]	Knuckle eye ZGUW	Weight [kg]	A	ØB	D	F	G	H	M	a.f.	W	X
0.05 ... 1	U2A/1T/ ZGUW	0.1	33	12 ^{H7}	32	54	70	12	M12	19	16	7
2	U2A/2T/ ZGUW	0.2	47	20 ^{H7}	50	78	103	18	M20 x1,5	32	25	9
5	U2A/5T/ ZGUW	0.4	57	25 ^{H7}	60	94	124	22	M24 x2	36	31	10
10	U2A/10T/ ZGUW	1.1	65.5	50 ^{+0.002 -0.014}	115	148.5	210	28	M39 x2	60	35	16
20	U2A/20T/ ZGUW	3.2	80	60 ^{+0.003 -0.018}	126	168	236	36	M48 x2	70	44	18



Max. capacity [t]	A_{min}	A_{max}	F_{min}	F_{max}
0.05 ... 0.5	139	156	171	188
1	141	156	173	188
2	212	234	262	284
5	260	288	320	348
10	418	436	541	559
20	466	489	602	625

Max. capacity [t]	Min. depth for screwing		Tightening torque M_A [N·m]
	B	C	
0.05 ... 0.5	9.6	9.6	60 ¹⁾
1	9.6	9.6	60
2	16	16	300
5	19.2	19.2	500
10	27	31.2	2500
20	36.6	38.4	4500

¹⁾ Do not exceed this value and handle the load cell with care during fastening to avoid damage to the thin measuring diaphragm. Hold the lock nut in place.



Max. capacity [t]	D	ØG	H	J	K	ØS	$M_A^{1)}$ [N·m]
0.05...0.5	47	42	4xM5	13	84...86.4	34	5
1	47	42	4xM5	13	86.4	34	5
2	72	70	4xM10	20.5	131.6	55	35
5	86	78	4xM12	19	158.2	61	60
10	122	105	8xM12	16	244	79	60
20	142	125	8xM16	26	270.2	97	150

1) Recommended values for a dry thread, using a torque wrench

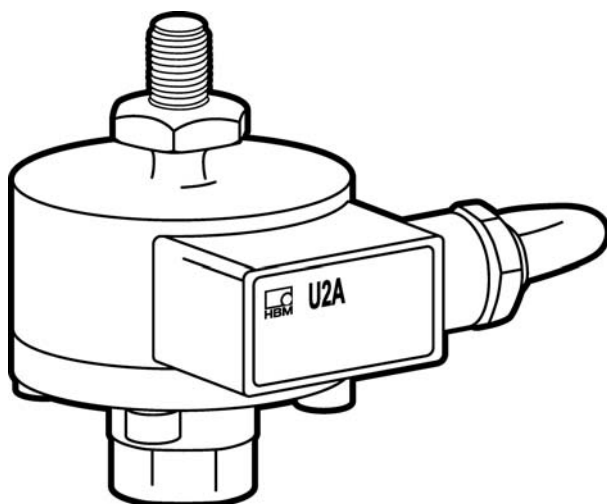
Mounting Instructions | **Montageanleitung** |
Notice de montage | Istruzioni per il montaggio

English

Deutsch

Français

Italiano



U2A

1	Sicherheitshinweise	3
2	Verwendete Kennzeichnungen	5
2.1	In dieser Anleitung verwendete Kennzeichnungen	5
2.2	Auf dem Gerät angebrachte Symbole	5
3	Bedingungen am Einbauort	6
3.1	Umgebungsdruck	6
3.2	Spezielle Hinweise	6
4	Montagehinweise	7
5	Lasteinleitung	8
6	Anschließen	9
6.1	Hinweise für die Verkabelung	9
6.2	Anschlusstechnik	9
6.3	Parallelschaltung mehrerer Aufnehmer	10
6.4	Anschluss in Vierleiter-Technik	10
6.5	Kabelverlängerung	10
6.6	Hinweise zur Verkabelung	10
7	Technische Daten	11
7.1	Mechanische Werte	13
7.2	Optionen	13
8	Abmessungen (in mm)	14
8.1	Aufnehmer	14
8.2	Einbauhilfen	15

1 Sicherheitshinweise

Wo bei Bruch Menschen und Sachen zu Schaden kommen können, müssen vom Anwender entsprechende Sicherheitsmaßnahmen (z.B. Absturzsicherungen, Überlastsicherungen usw.) getroffen werden.

Die einschlägigen Unfallverhütungsvorschriften sind unbedingt zu beachten. Berücksichtigen Sie insbesondere die in den technischen Daten genannten Grenzlaster.

Bestimmungsgemäßer Gebrauch

Die Wägezelle U2A... ist für wägetechnische Anwendungen konzipiert. Jeder darüber hinausgehende Gebrauch gilt als *nicht* bestimmungsgemäß.

Zur Gewährleistung eines sicheren Betriebes darf die Wägezelle nur nach den Angaben in der Montageanleitung verwendet werden. Bei der Verwendung sind zusätzlich die für den jeweiligen Anwendungsfall erforderlichen Rechts- und Sicherheitsvorschriften zu beachten. Sinngemäß gilt dies auch bei Verwendung von Zubehör.

Die Wägezelle ist kein Sicherheitselement im Sinne des bestimmungsgemäßen Gebrauchs. Der einwandfreie und sichere Betrieb der Wägezelle setzt sachgemäßen Transport, fachgerechte Lagerung, Aufstellung und Montage sowie sorgfältige Bedienung und Instandhaltung voraus.

Allgemeine Gefahren bei Nichtbeachten der Sicherheitshinweise

Die Wägezelle entspricht dem Stand der Technik und ist betriebssicher. Von den Wägezellen können Restgefahren ausgehen, wenn sie von ungeschultem Personal unsachgemäß eingesetzt und bedient werden.

Jede Person, die mit Aufstellung, Inbetriebnahme, Wartung oder Reparatur einer Wägezelle beauftragt ist, muss die Montageanleitung und insbesondere die sicherheitstechnischen Hinweise gelesen und verstanden haben.

Restgefahren

Der Leistungs- und Lieferumfang der Wägezelle deckt nur einen Teilbereich der Wägetechnik ab. Sicherheitstechnische Belange der Wägetechnik sind zusätzlich vom Anlagenplaner/Ausrüster/Betreiber so zu planen, zu realisieren und zu verantworten, dass Restgefahren minimiert werden. Jeweils existie-

rende Vorschriften sind zu beachten. Auf Restgefahren im Zusammenhang mit der Wägetechnik ist hinzuweisen.

Umgebungsbedingungen

Beachten Sie in Ihrem Anwendungsfeld, dass alle Stoffe die (Chlor-) Ionen freisetzen, auch nichtrostende Stähle und deren Schweißnähte angreifen. In diesem Fall sind von der Betreiberseite entsprechende Schutzmaßnahmen vorzusehen.

Verbot von eigenmächtigen Umbauten und Veränderungen

Die Wägezelle darf ohne unsere ausdrückliche Zustimmung weder konstruktiv noch sicherheitstechnisch verändert werden. Jede Veränderung schließt eine Haftung unsererseits für daraus resultierende Schäden aus.

Qualifiziertes Personal

Diese Wägezelle ist nur von qualifiziertem Personal ausschließlich entsprechend der technischen Daten in Zusammenhang mit den nachstehend ausgeführten Sicherheitsbestimmungen und Vorschriften einzusetzen. Hierbei sind zusätzlich die für den jeweiligen Anwendungsfall erforderlichen Rechts- und Sicherheitsvorschriften zu beachten. Sinngemäß gilt dies auch bei Verwendung von Zubehör.

Qualifiziertes Personal sind Personen, die mit Aufstellung, Montage, Inbetriebsetzung und Betrieb des Produktes vertraut sind und die über die ihrer Tätigkeit entsprechende Qualifikationen verfügen.

Unfallverhütung

Obwohl die angegebene Bruchlast im Zerstörungsbereich ein Mehrfaches der Nennlast beträgt, müssen die einschlägigen Unfallverhütungsvorschriften der Berufsgenossenschaften berücksichtigt werden.


Option Explosionsschutzausführung

- Bei der Installation sind die einschlägigen Errichtungsbestimmungen unbedingt zu beachten.
- Die Installationsbedingungen, die in der Konformitätsbescheinigung und/oder Baumusterbescheinigung aufgeführt sind, müssen eingehalten werden.

2 Verwendete Kennzeichnungen

2.1 In dieser Anleitung verwendete Kennzeichnungen

Wichtige Hinweise für Ihre Sicherheit sind besonders gekennzeichnet. Beachten Sie diese Hinweise unbedingt, um Unfälle und Sachschäden zu vermeiden.

Symbol	Bedeutung
 VORSICHT	Diese Kennzeichnung weist auf eine <i>mögliche</i> gefährliche Situation hin, die – wenn die Sicherheitsbestimmungen nicht beachtet werden – leichte oder mittlere Körperverletzung zur Folge <i>haben kann</i> .
Hinweis	Diese Kennzeichnung weist auf eine Situation hin, die – wenn die Sicherheitsbestimmungen nicht beachtet werden – Sachschäden zur Folge <i>haben kann</i> .
<i>Hervorhebung</i> <i>Siehe ...</i>	Kursive Schrift kennzeichnet Hervorhebungen im Text und kennzeichnet Verweise auf Kapitel, Bilder oder externe Dokumente und Dateien.

2.2 Auf dem Gerät angebrachte Symbole

CE-Kennzeichnung



Mit der CE-Kennzeichnung garantiert der Hersteller, dass sein Produkt den Anforderungen der relevanten EG-Richtlinien entspricht (die Konformitätserklärung finden Sie auf der Website von HBM (www.hbm.com) unter HBMdoc).

3 Bedingungen am Einbauort

3.1 Umgebungsdruck

Der Umgebungsdruck darf zwischen 0 und 5 bar liegen. Beachten Sie bitte, dass Druckschwankungen den Nullpunkt verschieben können.

Nennlast	kg t	50	100	200	500	1	2	5	10	20
Nullpunkt- veränderung [%/10 mbar]		0,065	0,032	0,016	0,006	0,003	0,006	0,003	0,002	0,001

3.2 Spezielle Hinweise

Die Aufnehmer U2A sind vollständig aus nichtrostenden Materialien gefertigt. Die Beständigkeit gegen aggressive Umgebungseinflüsse ist im Einzelfall vom Anwender zu prüfen.

4 Montagehinweise

- Den Aufnehmer schonend handhaben.
- Der Aufnehmersitz muss waagrecht, vollflächig plan und wie auch die Aufnehmersitzmontagefläche, absolut sauber sein.
- Staub, Schmutz und andere Fremdkörper dürfen sich nicht so ansammeln, dass sie die Beweglichkeit des Aufnehmers und der Lasteinleitungsteile beeinträchtigen und so den Messwert verfälschen.
- Aufnehmer nicht überlasten (z.B. durch ungleich verteilte Lasten); falls erforderlich Überlastschutz vorsehen (z.B. Stützkörper).
- Jeder Aufnehmer sollte schon bei oder unmittelbar nach dem Einbau durch eine Kupferlitze (ca. 16 mm²) überbrückt sein, damit keine Schweißströme über den Aufnehmer fließen können.

5 Lasteinleitung

Die Wägezellen der Typenreihe U2A können axiale Lasten sowohl in Zug- als auch in Druckrichtung messen. Zur Einleitung von Zuglasten (Vorzugsrichtung) sind ein Gewindebolzen am Gehäusekopf und ein Innengewinde am Adapter vorgesehen.

Für einen seitenkraft- und momentfreien Anschluss an die Waagenkonstruktion empfiehlt HBM die Verwendung von Gelenkösen. Die Gelenkösen eignen sich für die Verwendung unter quasistatischer Belastung (Lastwechsel ≤ 10 Hz). Beim Einsatz unter Wechsellasten muss der Aufnehmer unbedingt ohne axiales Spiel eingebaut sein.

Beachten Sie bitte die aufgeführten Anziehdrehmomente für die Schraubenverbindung an Gewindebolzen und Innengewinde. Diese Anzugsmomente dürfen in keinem Fall durch den Aufnehmer geleitet werden. Für einen Einsatz ohne Adapter muss auf eine saubere und sorgfältig plan gearbeitete Auflagefläche und auf ein korrektes Anziehen der Schraubenverbindungen am Wägezellenfuß geachtet werden.

6 Anschließen

6.1 Hinweise für die Verkabelung

Elektrische und magnetische Felder verursachen oft die Einkopplung von Störspannungen in den Messkreis.

Beachten Sie deshalb folgende Hinweise:

- Verwenden Sie nur abgeschirmte und kapazitätsarme Messkabel (HBM-Kabel erfüllen diese Bedingungen).
- Messkabel nicht parallel zu Starkstrom- oder Steuerleitungen verlegen. Falls dies nicht möglich ist (z.B. in Kabelschächten), schütze man das Messkabel z.B. durch Stahlpanzerrohre.
- Streufelder von Trafos, Motoren und Schützen sind zu meiden.

6.2 Anschluss technik

Wägezellen mit DMS-System können angeschlossen werden an:

- Trägerfrequenz-Messverstärker oder
- Gleichspannungs-Messverstärker.

Die Aufnehmer sind in Sechisleiter-Technik ausgeführt. Die Anschlussbelegung entnehmen Sie der folgenden Abbildung.

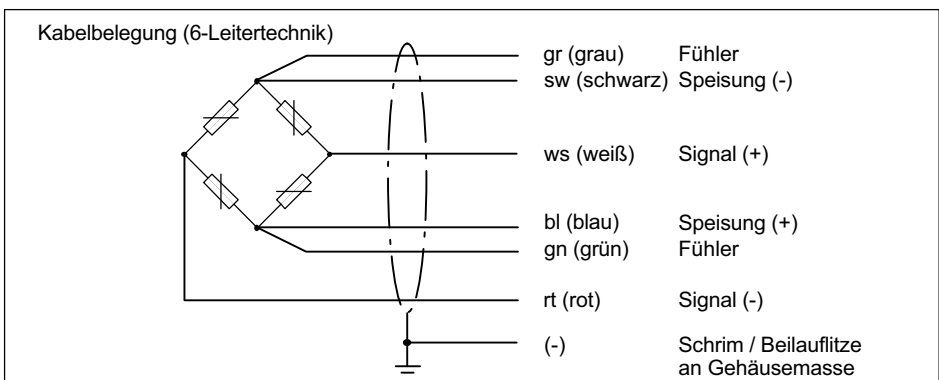


Abb. 6.1 Aufnehmer mit sechs-adrigem Anschlusskabel

6.3 Parallelschaltung mehrerer Aufnehmer

Aufnehmer schalten Sie elektrisch parallel, indem Sie die gleichfarbigen Adern der Aufnehmeranschlusskabel miteinander verbinden.



VORSICHT

Eine Überlastung einer einzelnen Wägezelle kann dann nicht am Ausgangssignal erkannt werden.

6.4 Anschluss in Vierleiter-Technik

Bei Anschluss an Verstärker in Vierleiter-Technik sind die Adern bl und gn sowie sw und gr miteinander zu verbinden. Beachten Sie bitte die dadurch verursachten Abweichungen von Kennwert und Temperaturkoeffizient des Kennwertes.

6.5 Kabelverlängerung

Verlängerungskabel müssen abgeschirmt und kapazitätsarm sein. Wir empfehlen Ihnen die Verwendung von HBM-Kabeln, die diese Voraussetzungen erfüllen. Bei Kabelverlängerungen ist auf eine einwandfreie Verbindung mit geringsten Übergangswiderständen und gute Isolation zu achten.

Bei Anwendung der Sechsheiter-Technik werden die Einflüsse durch Widerstandsänderungen der Verlängerungskabel ausgeglichen. Verlängern Sie das Kabel in Vierleiter-Technik kann die Kennwertabweichung durch Justieren beseitigt werden, Temperatureinflüsse werden jedoch nur bei Betrieb in Sechsheiter-Technik ausgeglichen.

6.6 Hinweise zur Verkabelung

Das Anschlusskabel der Wägezelle ist so zu verlegen, dass eventuell am Kabel entstandenes Kondenswasser oder Feuchtigkeit abtropfen kann. Es darf nicht zur Wägezelle geleitet werden. Außerdem ist dafür zu sorgen, dass keine Feuchtigkeit am offenen Kabelende eindringen kann.

7 Technische Daten

Typ			U2A		
Genauigkeitsklasse			0,2	0,1	D1
Teilezahl	n_{LC}		-	-	1000
Nennlast	E_{max}	kg	50	100, 200	500
		t	-	10, 20	1, 2, 5
Mindestteilungswert	v_{min}	% v. E_{max}	-	-	0,0286
Nennkennwert	C_N	mV/V	2		
Kennwerttoleranz					
bei Zug		%	$< \pm 0,20$	$< \pm 0,20$	$< \pm 0,20$
bei Druck		%	$< \pm 1,50$	$< \pm 0,50$	$< \pm 0,50$
Temperaturkoeffizient des Kennwertes¹⁾					
im Nenntemperaturbereich		TK_C		$< \pm 0,05$	
im Gebrauchstemperaturbereich			%/10 K	$< \pm 0,10$	
Temperaturkoeffizient des Nullsignales					
im Nenntemperaturbereich		TK_0		$< \pm 0,05$	
im Gebrauchstemperaturbereich			%/10 K	$< \pm 0,10$	
Relative Umkehrspanne¹⁾			d_{hy}	$< \pm 0,15$	
Linearitätsabweichung¹⁾			d_{lin}	$< \pm 0,05$	
Kriechen über 30 min.			d_{cr}	$< \pm 0,06$	
Eingangswiderstand	R_{LC}	Ω	340 ... 450		
Ausgangswiderstand	R_0	Ω	$356 \pm 0,2$		
Isolationswiderstand	R_{is}	$G\Omega$	> 5		
Referenzspannung	U_{ref}	V	5		
Nennbereich der Versorgungsspannung	B_U	V	0,5 ... 10	0,5 ... 12	

Typ			U2A		
Maximal zul. Speisespannung		V	12	18	
Nennbereich der Umgebungstemperatur	B_T	°C	-10 ... + 40		
Gebrauchstemperaturbereich²⁾	B_{tu}		-30 ... + 85 (-30 ... +120)		
Lagerungstemperaturbereich	B_{tl}		-50 ... + 85		
Grenzlast	E_L	% v. E_{max}	130	150	150
Bruchlast	E_d		300		
Rel. stat. Grenzquerbelastung	E_{lq}		25		
Relative zul. Schwingbeanspruchung	F_{srel}		100	160	
Schutzart nach EN 60529 (IEC 529)			IP67		
Material Messkörper Kabelverschraubung Kabelmantel			nichtrostender Stahl ³⁾ Messing vernickelt, Silikon Thermoplastisches Elastomer		

- 1) Die Werte für die Linearitätsabweichung, relative Umkehrspanne und den Temperaturgang des Kennwertes sind Richtwerte. Die Summe dieser Werte liegt innerhalb der Summenfehlergrenze nach OIML R60.
- 2) Erweiterter Gebrauchstemperaturbereich als Option.
- 3) nach EN 10088-1

7.1 Mechanische Werte

Nennlast [t]	Nennmessweg, S _{nom} , ca. [mm]	Gewicht, (G) ca. [kg]	Kabellänge [m]
0,05	< 0,1	0,8	3
0,1	< 0,1	0,8	3
0,2	< 0,1	0,8	3
0,5	< 0,1	0,8	3
1	< 0,1	0,8	3
2	< 0,07	2,9	6
5	< 0,07	4,3	6
10	< 0,09	10,7	12
20	< 0,09	15,9	12

7.2 Optionen

- Gebrauchstemperaturbereich erweitert auf 120 °C (nicht möglich mit ATEX 95)

Ex-Schutz-Ausführungen nach ATEX

- II 2 G EEx ia IIC T4 bzw. T6 (Zone 1)¹⁾
- II 2 D Ex tD A21 IP67 T80 °C (Zone 21)¹⁾
- II 3 G EEx nA II T6 (Zone 2)
- II 3 D IP67 T80 °C (Zone 22 für nichtleitenden Staub)

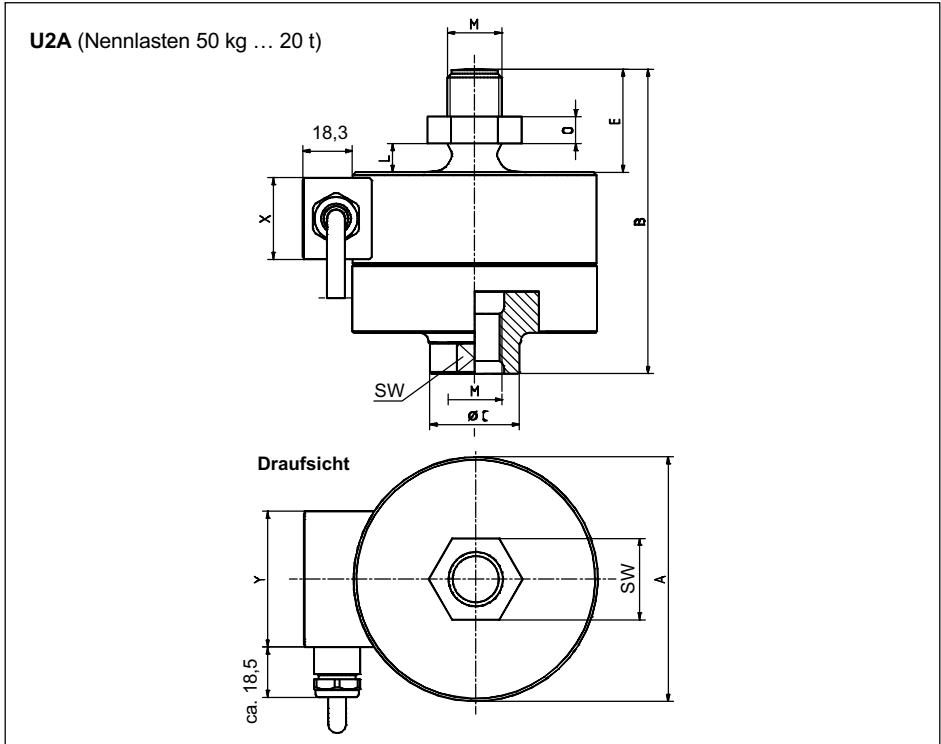
Zubehör, zusätzlich zu beziehen

- Gelenköse U2A, oben, U2A/.../ZGOW
- Gelenköse U2A, unten, U2A/.../ZGUW
- Erdungskabel EEK

¹⁾ mit EG-Baumusterprüfbescheinigung

8 Abmessungen (in mm)

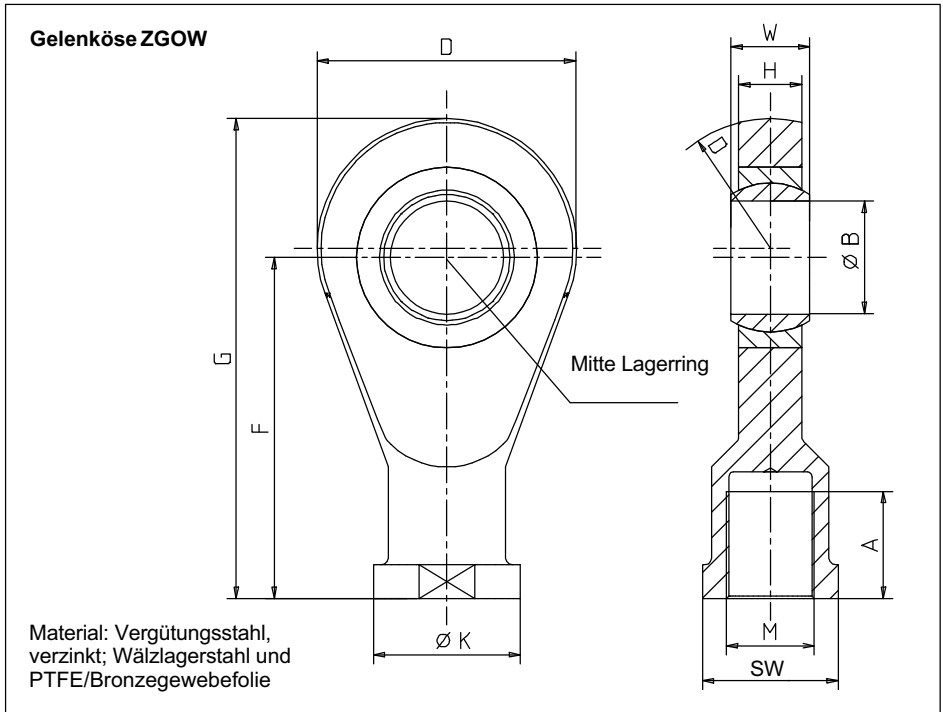
8.1 Aufnehmer



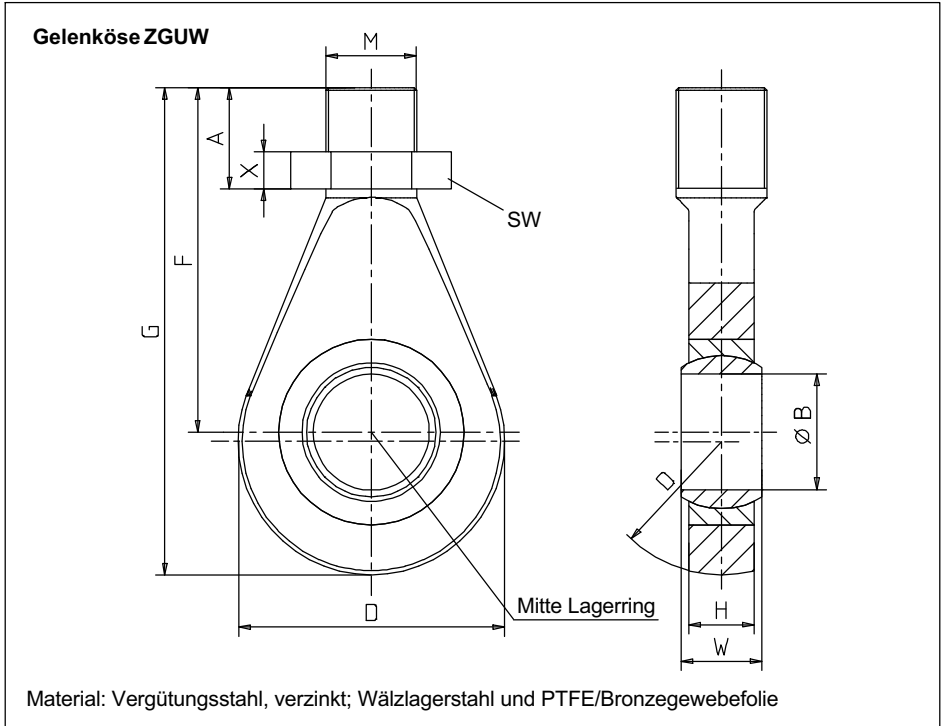
Nennlast in t	$\varnothing A_{0,2}$	B	C	E	L_{min}	M	O	SW	X	Y
0,05 ... 1	50	72	21	24	5 ¹⁾	M12	6	19	20	35
2	90	112	33	38	10,6	M20x1,5	10	30	30	50
5	100	141	40	47	13,2	M24x2	12	36	30	50
10	135	197	68	67	19	M39x2	19	60	30	50
20	155	232	82	85	24,2	M48x2	22	70	30	50

1) bei U2A/1t: 7,4 mm

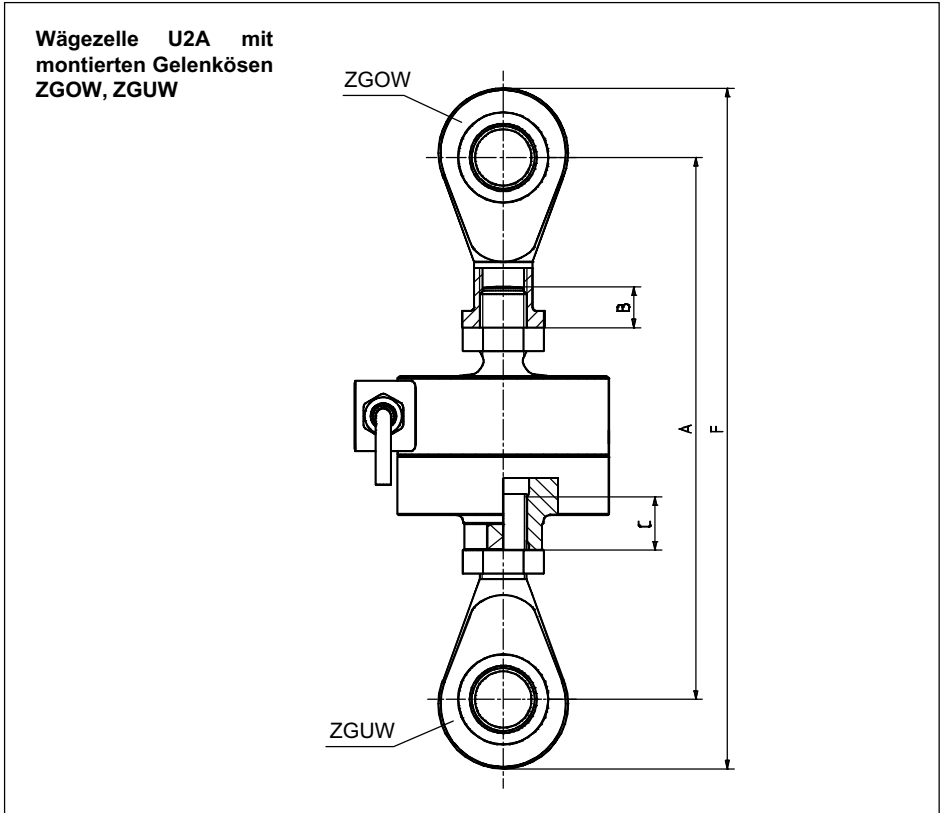
8.2 Einbauhilfen



Nennlast [t]	Gelenköse ZGOW	Gewicht [kg]	A	ØB	D	F	G	H	ØK	M	SW	W
0,05 ... 1	U2A/1T/ ZGOW	0,2	22	12 ^{H7}	32	50	66	12	22	M12	19	16
2	U2A/2T/ ZGOW	0,5	33	20 ^{H7}	50	77	102	18	34	M20x 1,5	32	25
5	U2A/5T/ ZGOW	0,8	42	25 ^{H7}	60	94	124	22	42	M24x 2	36	31
10	U2A/10T /ZGOW	3,2	50	50 ^{+0,002 -0,014}	115	151	212,5	28	65	M39x 2	60	35
20	U2A/20T /ZGOW	4,8	60	60 ^{+0,003 -0,018}	126	167	235	36	82	M48x 2	70	44



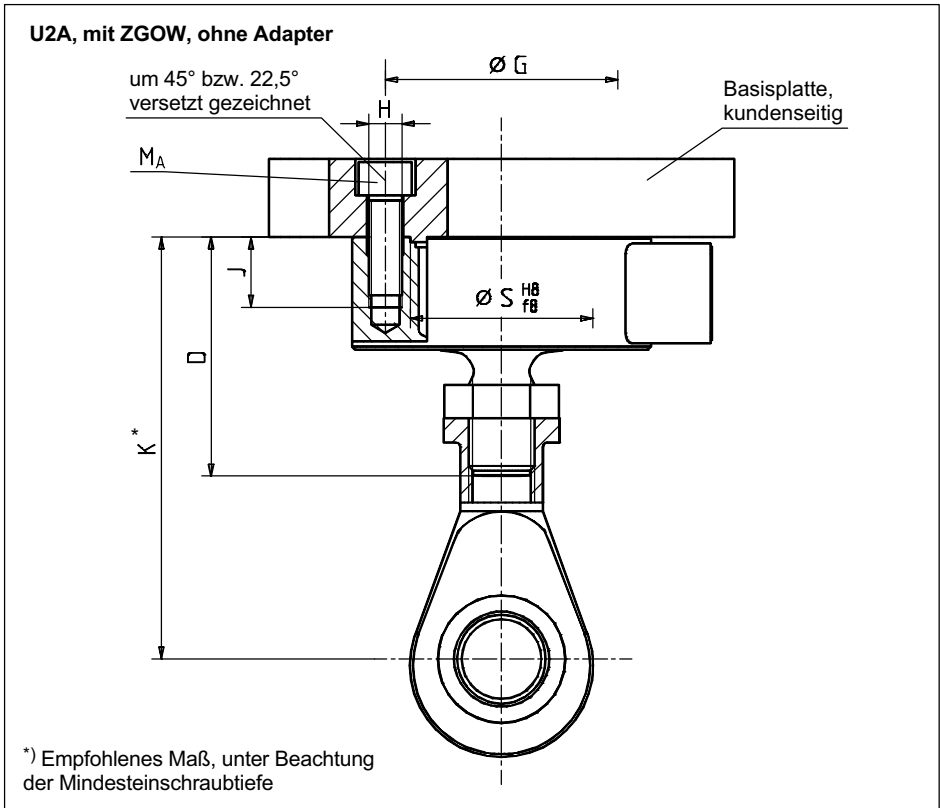
Nennlast [t]	Gelenköse ZGUW	Gewicht [kg]	A	ØB	D	F	G	H	M	SW	W	X
0,05 ... 1	U2A/1T/ ZGUW	0,1	33	12 ^{H7}	32	54	70	12	M12	19	16	7
2	U2A/2T/ ZGUW	0,2	47	20 ^{H7}	50	78	103	18	M20x 1,5	32	25	9
5	U2A/5T/ ZGUW	0,4	57	25 ^{H7}	60	94	124	22	M24x 2	36	31	10
10	U2A/10T /ZGUW	1,1	65,5	50 ^{+0,002 -0,014}	115	148,5	210	28	M39x 2	60	35	16
20	U2A/20T /ZGUW	3,2	80	60 ^{+0,003 -0,018}	126	168	236	36	M48x 2	70	44	18



Nennlast [t]	A_{min}	A_{max}	F_{min}	F_{max}
0,05 ... 0,5	139	156	171	188
1	141	156	173	188
2	212	234	262	284
5	260	288	320	348
10	418	436	541	559
20	466	489	602	625

Nennlast [t]	Mindesteinschraubtiefe		Anzugsmoment M_A [N·m]
	B	C	
0,05 ... 0,5	9,6	9,6	60 ¹⁾
1	9,6	9,6	60
2	16	16	300
5	19,2	19,2	500
10	27	31,2	2500
20	36,6	38,4	4500

¹⁾ Diesen Wert nicht überschreiten und Wägezelle beim Anziehen schonend handhaben, um eine Beschädigung der dünnen Messmembran zu vermeiden. Kontermutter entsprechend gehalten.



Nennlast [t]	D	ØG	H	J	K	ØS	$M_A^{1)}$ [N·m]
0,05 ... 0,5	47	42	4xM5	13	84...86,4	34	5
1	47	42	4xM5	13	86,4	34	5
2	72	70	4xM10	20,5	131,6	55	35
5	86	78	4xM12	19	158,2	61	60
10	122	105	8xM12	16	244	79	60
20	142	125	8xM16	26	270,2	97	150

1) Empfohlene Werte bei trockenem Gewinde und Benutzung eines Drehmomentschlüssels

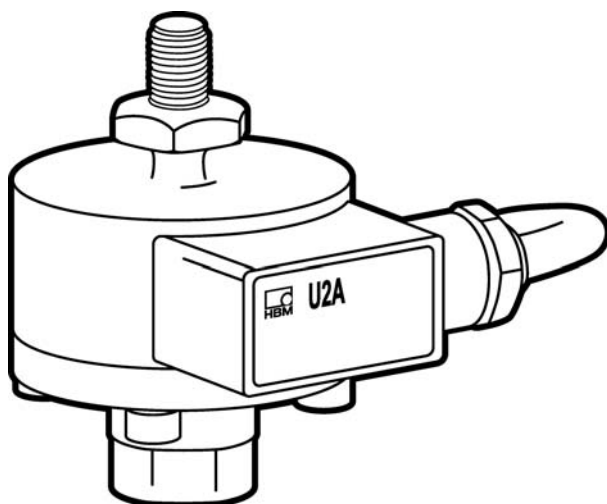
Mounting Instructions | Montageanleitung |
Notice de montage | Istruzioni per il montaggio

English

Deutsch

Français

Italiano



U2A

1	Consignes de sécurité	3
2	Marquages utilisés	6
2.1	Marquages utilisés dans le présent document	6
2.2	Marquages utilisés sur le produit	6
3	Conditions concernant le lieu d'installation	7
3.1	Pression ambiante	7
3.2	Remarques particulières	7
4	Instructions de montage	8
5	Application de charge	9
6	Raccordement	10
6.1	Indications relatives à la pose des câbles	10
6.2	Technique de connexion	10
6.3	Branchement en parallèle de plusieurs capteurs	11
6.4	Raccordement en technique à quatre conducteurs	11
6.5	Rallonge de câbles	11
6.6	Remarques sur le câblage	11
7	Caractéristiques techniques	12
7.1	Caractéristiques mécaniques	14
7.2	Options	14
8	Dimensions	15
8.1	Capteur	15
8.2	Pièces pour le montage	16

1 Consignes de sécurité

Dans les cas où une rupture serait susceptible de provoquer des dommages corporels et matériels, l'utilisateur se doit de prendre les mesures de sécurité qui s'imposent (p. ex. dispositifs antichute, protections contre les surcharges, etc.).

Les règles de prévention des accidents applicables doivent impérativement être observées. Respecter tout particulièrement les charges limites indiquées dans les caractéristiques techniques.

Utilisation conforme

Le peson U2A... est conçu pour des applications de pesage. Toute autre utilisation est considérée comme *non* conforme.

Pour garantir un fonctionnement en toute sécurité, le peson doit être utilisé conformément aux instructions de la notice de montage. De plus, il convient de respecter les règlements et consignes de sécurité applicables à chaque cas particulier. Ceci vaut également pour l'utilisation des accessoires.

Le peson ne constitue pas un élément de sécurité au sens de l'utilisation conforme. Afin de garantir un fonctionnement parfait et en toute sécurité du peson, il convient de veiller à un transport, un stockage, une installation et un montage appropriés et d'assurer un maniement ainsi qu'un entretien scrupuleux.

Risques généraux en cas de non-respect des consignes de sécurité

Le peson est conforme à l'état de la technique et est fiable. Néanmoins, il peut présenter des dangers résiduels en cas d'utilisation non conforme par du personnel non qualifié.

Toute personne chargée de l'installation, de la mise en service, de la maintenance ou de la réparation d'un peson doit impérativement avoir lu et compris la notice de montage et notamment les consignes de sécurité.

Dangers résiduels

Les performances du peson ainsi que l'étendue de la livraison ne couvrent qu'une partie de la technique de pesage. La sécurité dans ce domaine doit être

conçue, mise en oeuvre et prise en charge par l'ingénieur, le constructeur et l'opérateur de manière à minimiser les dangers résiduels. Les dispositions en vigueur doivent être respectées. Il convient de souligner les dangers résiduels liés à la technique de pesage.

Conditions ambiantes

Considérez dans votre domaine d'applications que toutes les substances libérant des ions (chlore), peuvent agir également sur les aciers inoxydables et leurs sondeurs. Donc, l'exploitant doit prévoir des mesures de protection correspondantes.

Transformations et modifications interdites sans autorisation

Il est interdit de modifier le peson sur le plan conceptuel ou de la sécurité sans accord explicite de notre part. Toute modification annule notre responsabilité pour les dommages qui pourraient en résulter.

Personnel qualifié

Ce peson doit uniquement être manipulé par du personnel qualifié conformément aux caractéristiques techniques et aux consignes de sécurité décrites ci-après. De plus, il convient de respecter les règlements et consignes de sécurité applicables à chaque cas particulier. Ceci vaut également pour l'utilisation des accessoires.

Par personnel qualifié on entend les personnes familiarisées avec l'installation, le montage, la mise en service et l'exploitation du produit et disposant des qualifications nécessaires.

Prévention des accidents

Bien que la charge de rupture spécifiée s'élève à un multiple de la charge nominale, il convient de respecter les règlements relatifs à la prévention des accidents du travail des associations correspondantes.

Version (optionnelle) à protection "Ex"


- A l'installation de cette version, impérativement respecter les prescriptions et dispositions afférentes.

- Les conditions d'installation, telles qu'énoncées dans la Déclaration de Conformité et/ou telles que définies par le Certificat d'examen de type, doivent également être respectées.

2 Marquages utilisés

2.1 Marquages utilisés dans le présent document

Les remarques importantes pour votre sécurité sont repérées d'une manière particulière. Il est impératif de tenir compte de ces consignes, afin d'éviter les accidents et les dommages matériels.

Symbole	Signification
 ATTENTION	Ce marquage signale un risque <i>potentiel</i> qui - si les dispositions relatives à la sécurité ne sont pas respectées - <i>peut avoir</i> pour conséquence des blessures corporelles de gravité minimale ou moyenne.
Note	Ce marquage signale une situation qui - si les dispositions relatives à la sécurité ne sont pas respectées - <i>peut avoir</i> pour conséquence des dégâts matériels.
<i>Mise en valeur</i> <i>Voir ...</i>	Pour mettre en valeur certains mots du texte, ces derniers sont écrits en italique.

2.2 Marquages utilisés sur le produit

Label CE



Avec le marquage CE, le fabricant garantit que son produit est conforme aux exigences des directives CE qui s'y appliquent (Pour voir la déclaration de conformité visitez <http://www.hbm.com/HBMdoc>).

3 Conditions concernant le lieu d'installation

3.1 Pression ambiante

La pression ambiante doit se situer entre 0 et 5 bar. Veuillez tenir compte du fait que des variations de pression décalent le point zéro :

Charge nominale	kg t	50	100	200	500	1	2	5	10	20
Décalage du point zéro [%/10 mbar]		0,065	0,032	0,016	0,006	0,003	0,006	0,003	0,002	0,001

3.2 Remarques particulières

Les capteurs U2A sont entièrement constitués de matériaux inoxydables. La résistance aux influences agressives de l'environnement doit être contrôlée au cas par cas par l'utilisateur.

4 Instructions de montage

- Manipuler les pesons digitaux avec ménagement !
- Le siège du capteur doit être horizontal, absolument plan et - tout comme la surface d'applique du capteur - d'une propreté parfaite.
- Poussière, souillures et autres corps étrangers ne doivent pas s'accumuler de manière à entraver la mobilité du capteur et donc d'en falsifier les résultats de mesure.
- Ne pas surcharger les capteurs (par ex. avec des charges mal réparties). Si nécessaire, prévoir une protection contre les surcharges (par ex. un élément support).
- Au montage ou immédiatement après le montage du capteur, celui-ci est à ponter l'aide d'une tresse de cuivre d'une section d'environ 16 mm², de sorte le protéger contre des éventuels courants transitoires.

5 Application de charge

Les pesons de la série U2A peuvent mesurer des charges axiales aussi bien dans la direction de traction que dans la direction de pression. Pour appliquer des charges en traction (direction privilégiée), un boulon fileté est prévu à la tête du boîtier et l'adaptateur comporte un taraudage.

Pour un raccordement sans force latérale et sans moment à la construction de bascule, HBM conseille d'utiliser des rotules. Les rotules sont particulièrement adaptées en cas de charge quasi-statique (charge alternée ≤ 10 Hz). Pour une utilisation sous charges alternées, le capteur doit impérativement être monté sans jeu axial.

Respecter les couples de serrage indiqués pour le vissage au niveau du boulon fileté et du taraudage. Ces couples de serrage ne doivent en aucun cas être introduits par le capteur. Si aucun adaptateur n'est utilisé, il faut veiller à avoir une surface d'appui propre et bien plane et s'assurer que les assemblages boulonnés au niveau de la base du peson sont serrés correctement.

6 Raccordement

6.1 Indications relatives à la pose des câbles

Les champs électriques et magnétiques provoquent souvent le couplage de tensions parasites dans le circuit de mesure.

C'est la raison pour laquelle :

- Vous devez utiliser uniquement des câbles de mesure blindés de faible capacité (les câbles HBM satisfont à ces conditions)
- Vous ne devez pas poser les câbles de mesure en parallèle avec des câbles de commande et d'énergie. Si cela n'est pas possible, protégez le câble de mesure, p. ex. à l'aide de tubes d'acier blindés
- Évitez les champs de dispersion des transformateurs, moteurs et vannes

6.2 Technique de connexion

Les capteurs de pesage peuvent être utilisés avec :

- des amplificateurs de mesure à fréquence porteuse ou
- des amplificateurs à tension continue.

Les pesons sont réalisés en technique à six conducteurs, le plan de raccordement étant illustré sur la figure ci-après.

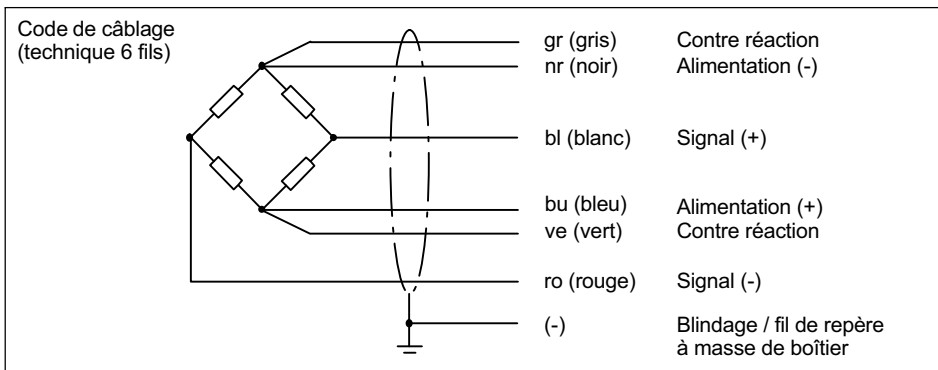


Fig. 6.1 Capteur avec câble de liaison de 6 fils

6.3 Branchement en parallèle de plusieurs capteurs

Le branchement électrique en parallèle de plusieurs pesons s'effectue en reliant entre eux les extrémités des câbles de même couleur.



ATTENTION

La surcharge d'un seul peson ne peut alors pas être détectée au niveau du signal de sortie.

6.4 Raccordement en technique à quatre conducteurs

En cas de raccordement à des amplificateurs en technique à quatre conducteurs, les fils bleu et vert ainsi que noir et gris doivent être reliés. Tenir compte des écarts de sensibilité et de coefficient de température de la sensibilité qu'il engendre.

6.5 Rallonge de câbles

Les câbles prolongateurs (rallonges) doivent être blindés et de faible capacité. Nous recommandons l'utilisation des câbles HBM qui satisfont à ces conditions requises. Pour les prolongations de câble, il faut veiller à une parfaite connexion avec des résistances de transition minimales et à une bonne isolation.

L'utilisation de la technique à six conducteurs permet de compenser les influences dues à des variations de résistance des câbles de rallonge. Si vous prolongez le câble selon la technique à quatre conducteurs, l'écart de la sensibilité peut être éliminé en ajustant l'amplificateur de mesure. Les influences de température ne sont toutefois compensées que lors d'un fonctionnement selon la technique à six conducteurs.

6.6 Remarques sur le câblage

Le câble de raccordement du peson doit être posé de manière à ce que l'eau de condensation ou l'humidité éventuellement générée sur le câble puisse s'égoutter. Il ne doit pas être relié au peson. De plus, il convient de s'assurer que l'humidité ne peut pas pénétrer au niveau de l'extrémité de câble nue.

7 Caractéristiques techniques

Type			U2A		
Classe de précision			0,2	0,1	D1
Nombre d'échelons	n_{LC}		-	-	1000
Charge nominale	E_{max}	kg	50	100, 200	500
		t	-	10, 20	1, 2, 5
Valeur min. d'un échelon	v_{min}	% de E_{max}	-	-	0,0286
Valeur caractéristique nominale	C_n	mV/V	2		
Tolérance de la valeur caractéristique					
			en traction	%	< ± 0,20
en compression	%	< ± 1,50	< ± 0,50	< ± 0,50	
Coefficient de température de la valeur caractéristique ¹⁾	TK_C				
			en plage nominale de température	%/10 K	< ± 0,05
en plage utile de température	%/10 K	< ± 0,10			
Coefficient de température du signal zéro	TK_0				
			en plage nominale de température	%/10 K	< ± 0,05
en plage utile de température	%/10 K	< ± 0,10	< ± 0,05		
Hystérésis rel. de renversement ¹⁾	d_{hy}		< ± 0,15		< ± 0,05
Ecart de linéarité ¹⁾	d_{lin}	% de C_N	< ± 0,20	< ± 0,10	< ± 0,05
Fuite superficielle sur 30 minutes	d_{cr}		< ± 0,06		< ± 0,05
Résistance d'entrée	R_{LC}	Ω	340 ... 450		
Résistance de sortie	R_0	Ω	356 ± 0,2		
Résistance d'isolement	R_{is}	G Ω	>5		
Tension de référence	U_{ref}	V	5		

Type			U2A		
Classe de précision			0,2	0,1	D1
Plage nominale de la tension d'alimentation	B_U	V	0,5 ... 10	0,5 ... 12	
Tension d'alimentation de pont max. admissible		V	12	18	
Plage nom. de température ambiante	B_T	°C	-10 ... + 40		
Plage des températures de service ²⁾	B_{tu}		-30 ... + 85 (-30 ... +120)		
Plage des températures de stockage	B_{tl}		-50 ... + 85		
Charge maxi	E_L	% de E_{max}	130	150	150
Charge de rupture	E_d		300		
Rel. stat. force transv. statique limite	E_{lq}		25		
Contrainte dynamique admise	F_{srel}		100	160	
Indice de protection selon EN 60529 (CEI 529)			IP67		
Matériau			acier inoxydable ³⁾		
élément de mesure			laiton nickelé, silicone		
garniture d'étanchéité			élastomère thermoplastique		
gaine de câble					

1) Les valeurs d'écart de linéarité, de l'hystérésis relative de renversement et du coefficient de température de la valeur caractéristiques ne sont données qu'à titre indicatif. La somme de ces valeurs se situe à l'intérieur du seuil d'erreurs groupées selon OIML R60.

2) Plage utile de température étendue à 120 °C optionnel

3) Après EN 10088-1

7.1 Caractéristiques mécaniques

Charge nominale [t]	Déplacement nominal, s_{nom} [mm], env.	Poids, (G) env. [kg]	Longueur de câble [m]
0,05	< 0,1	0,8	3
0,1	< 0,1	0,8	3
0,2	< 0,1	0,8	3
0,5	< 0,1	0,8	3
1	< 0,1	0,8	3
2	< 0,07	2,9	6
5	< 0,07	4,3	6
10	< 0,09	10,7	12
20	< 0,09	15,9	12

7.2 Options

Plage utile de température étendue à 120 °C (non possible avec ATEX 95)

Versions antidéflagrants selon ATEX

- II 2 G EEx ia IIC T4 ou T6 (Zone 1)¹⁾
- II 2 D Ex tD A21 IP67 T80 °C (Zone 21)¹⁾
- II 3 G EEx nA II T6 (Zone 2)
- II 3 D IP67 T80 °C (Zone 22 pour poussière non conductrice)

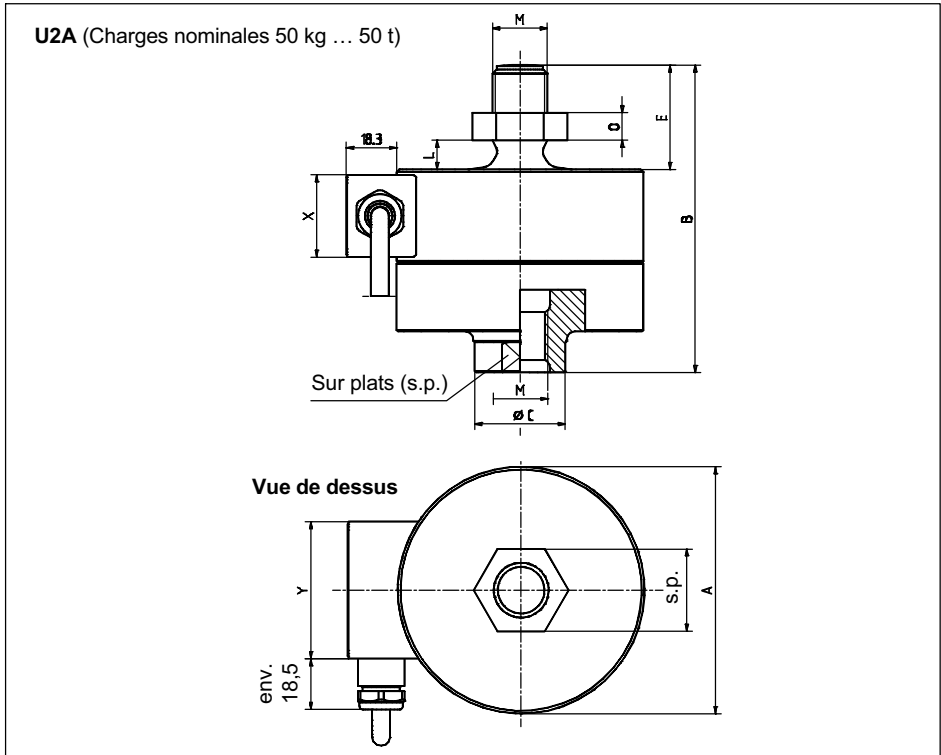
Accessoires (non compris dans la livraison) :

- Anneaux à rotule U2A, pour le haut, U2A/.../ZGOW
- Anneaux à rotule U2A, pour le bas, U2A/.../ZGUW
- Câble de terre EEK

1) avec certificat d'examen CE de type

8 Dimensions

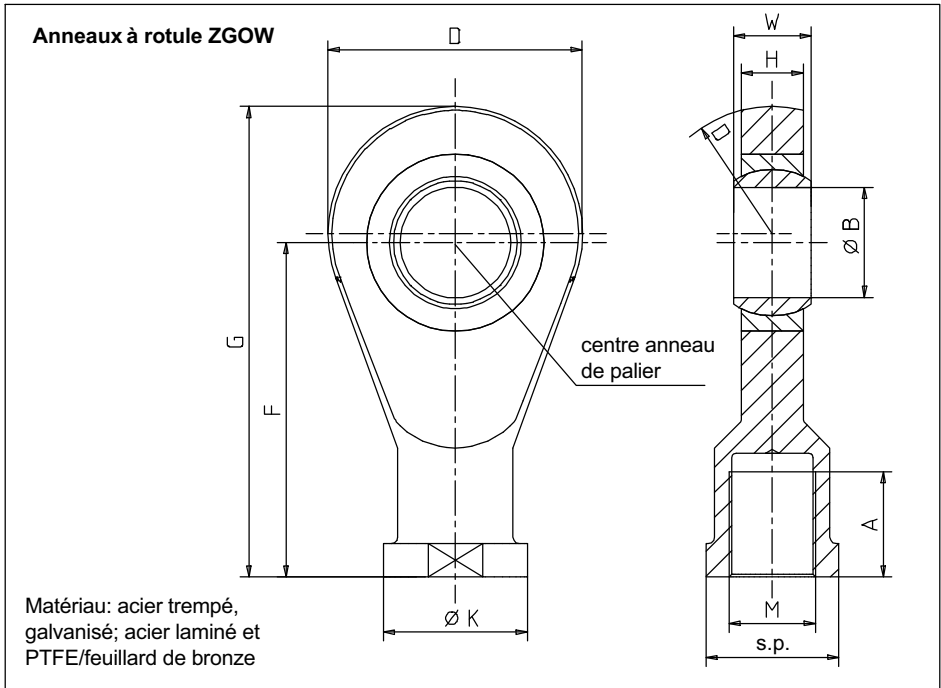
8.1 Capteur



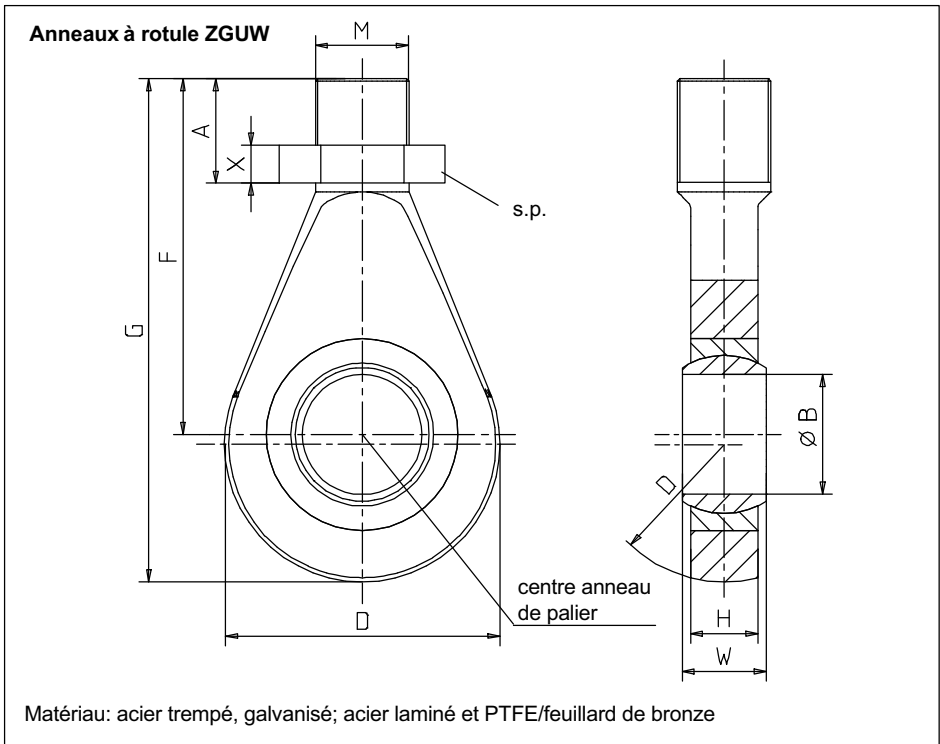
Charge nominale [t]	$\varnothing A_{0,2}$	B	C	E	L_{min}	M	O	s.p.	X	Y
0,05 ... 1	50	72	21	24	5 ¹⁾	M12	6	19	20	35
2	90	112	33	38	10,6	M20x1,5	10	30	30	50
5	100	141	40	47	13,2	M24x2	12	36	30	50
10	135	197	68	67	19	M39x2	19	60	30	50
20	155	232	82	85	24,2	M48x2	22	70	30	50

1) avec U2A/1t: 7,4 mm

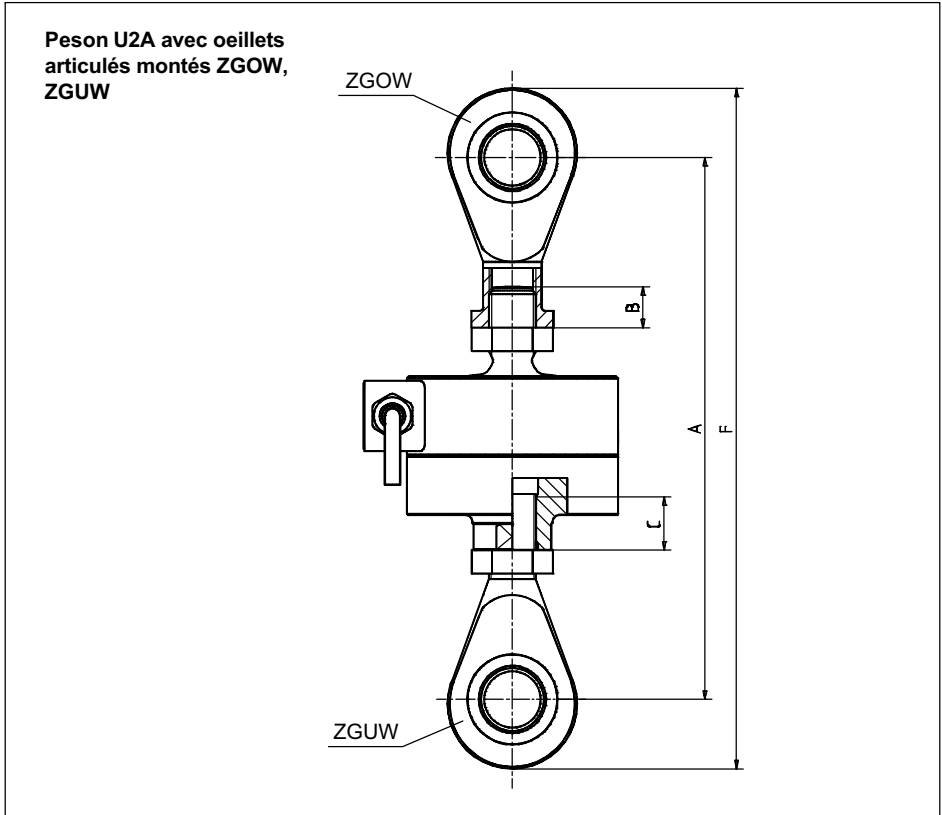
8.2 Pièces pour le montage



Charge nominale [t]	Anneaux à rotule ZGOW	Poids [kg]	A	ØB	D	F	G	H	ØK	M	s.p.	W
0,05...1	U2A/1T/ ZGOW	0,2	22	12 ^{H7}	32	50	66	12	22	M12	19	16
2	U2A/2T/ ZGOW	0,5	33	20 ^{H7}	50	77	102	18	34	M20 x1,5	32	25
5	U2A/5T/ ZGOW	0,8	42	25 ^{H7}	60	94	124	22	42	M24 x2	36	31
10	U2A/10T /ZGOW	3,2	50	50 ^{+0,002 -0,014}	115	151	212. 5	28	65	M39 x2	60	35
20	U2A/20T /ZGOW	4,8	60	60 ^{+0,003 -0,018}	126	167	235	36	82	M48 x2	70	44



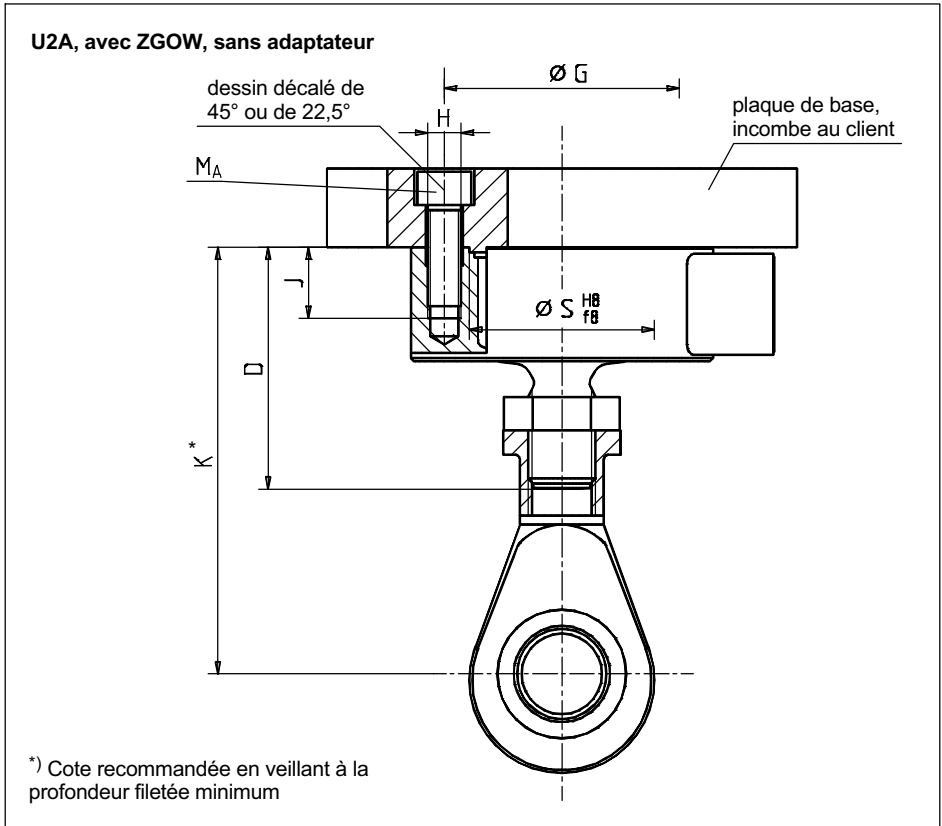
Charge nominale [t]	Anneaux à rotule ZGOW	Poids [kg]	A	ØB	D	F	G	H	M	s.p.	W	X
0,05...1	U2A/1T/ ZGUW	0,1	33	12 ^{H7}	32	54	70	12	M12	19	16	7
2	U2A/2T/ ZGUW	0,2	47	20 ^{H7}	50	78	103	18	M20 x1,5	32	25	9
5	U2A/5T/ ZGUW	0,4	57	25 ^{H7}	60	94	124	22	M24 x2	36	31	10
10	U2A/10T /ZGUW	1,1	65,5	50 ^{+0,002 -0,014}	115	148,5	210	28	M39 x2	60	35	16
20	U2A/20T /ZGUW	3,2	80	60 ^{+0,003 -0,018}	126	168	236	36	M48 x2	70	44	18



Charge nominale [t]	A_{min}	A_{max}	F_{min}	F_{max}
0,05 ... 0,5	139	156	171	188
1	141	156	173	188
2	212	234	262	284
5	260	288	320	348
10	418	436	541	559
20	466	489	602	625

Charge nominale [t]	Profondeur filetée minimale		Couple de serrage M_A [N·m]
	B	C	
0,05 ... 0,5	9,6	9,6	60 ¹⁾
1	9,6	9,6	60
2	16	16	300
5	19,2	19,2	500
10	27	31,2	2500
20	36,6	38,4	4500

1) Ne pas dépasser cette valeur et manipuler le peson doucement lors de le serrer pour éviter tout endommagement de la mince membrane de mesure. Bien bloquer le contre-écrou.



Charge nominale [t]	D	ØG	H	J	K	ØS	M_A ¹⁾ [N·m]
0,05...0,5	47	42	4xM5	13	84 ... 86,4	34	5
1	47	42	4xM5	13	86,4	34	5
2	72	70	4xM10	20,5	131,6	55	35
5	86	78	4xM12	19	158,2	61	60
10	122	105	8xM12	16	244	79	60
20	142	125	8xM16	26	270,2	97	150

1) Valeurs recommandées lorsque le filet est sec et en utilisant un clé dynamométrique

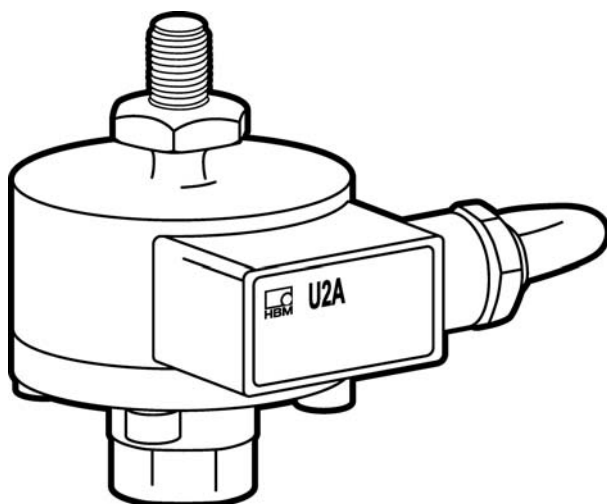
Mounting Instructions | Montageanleitung |
Notice de montage | **Istruzioni per il montaggio**

English

Deutsch

Français

Italiano



U2A

1	Note sulla sicurezza	3
2	Simboli utilizzati	5
2.1	Simboli utilizzati nelle presenti istruzioni	5
2.2	Simboli riportati sullo strumento	5
3	Condizioni del luogo di montaggio	6
3.1	Pressione ambientale	6
3.2	Avvisi speciali	6
4	Avvisi per il montaggio	7
5	Introduzione del carico	8
6	Collegamento	9
6.1	Avvisi per il cablaggio	9
6.2	Tecnica di collegamento	9
6.3	Collegamento in parallelo di più trasduttori	10
6.4	Collegamento con circuito a 4 fili	10
6.5	Cavo di prolungamento	10
6.6	Avvisi per il cablaggio	10
7	Dati tecnici	11
7.1	Valori meccanici	13
7.2	Opzioni	13
8	Dimensioni (in mm)	14
8.1	Trasduttore	14
8.2	Accessori di montaggio	15

1 Note sulla sicurezza

Se in caso di rottura sussiste il pericolo di danni alle persone e alle cose, l'utente è tenuto a adottare misure di sicurezza corrispondenti (ad. es. protezioni antiribaltamento, protezioni da sovraccarico, ecc.).

Le prescrizioni antinfortunistiche vigenti devono essere assolutamente rispettate. Considerare in particolare i carichi limite riportati nei Dati tecnici.

Impiego conforme

La cella di carico U2A... è concepita per applicazioni della tecnologia di pesatura. Tutti gli utilizzi che esulino dai suddetti campi applicativi sono da considerarsi *non* conformi.

Per garantire un funzionamento senza rischio di guasto, la cella di carico deve essere usata esclusivamente come specificato in queste istruzioni di montaggio. Durante l'uso devono essere inoltre osservate le normative legali e sulla sicurezza previste per ogni specifica applicazione. Quanto sopra affermato vale anche per l'uso di accessori.

La cella di carico non è un elemento di sicurezza nel senso dell'utilizzo conforme. L'impiego corretto e sicuro della cella di carico presuppone l'adeguato trasporto, il corretto magazzinaggio, un'installazione e un montaggio ottimali, nonché il comando e la manutenzione opportuni.

Pericoli generali in caso di non-osservanza delle istruzioni di sicurezza

La cella di carico è costruita allo stato dell'arte ed è senza rischio di guasto. Tuttavia, l'impiego non conforme da parte di personale non addestrato comporta dei pericoli residui dalle celle di carico.

Chiunque venga incaricato dell'installazione, messa in funzione, manutenzione o riparazione di una cella di carico dovrà aver letto e compreso le istruzioni di montaggio e in particolare le note di sicurezza.

Pericoli residui

L'insieme delle prestazioni e il contenuto della fornitura della cella di carico coprono soltanto un ambito parziale della tecnologia di pesatura. Il progettista/ l'allestitore/il gestore dell'impianto dovranno inoltre progettare, realizzare e assumersi la responsabilità delle questioni rilevanti per la sicurezza della

tecnologia di pesatura, in modo da ridurre al minimo i pericoli residui. Rispettare le relative prescrizioni esistenti in materia. I pericoli residui connessi alla tecnologia di pesatura devono essere esplicitamente specificati.

Condizioni ambientali

Per il relativo campo d'impiego considerare che tutte le sostanze che liberano ioni (di cloro) aggrediscono anche acciai inossidabili e i loro cordoni di saldatura. In questo caso l'operatore deve adottare relative misure di protezione.

Divieto di conversioni e modificazioni arbitrarie

Non è consentito modificare la cella di carico dal punto di vista costruttivo e della sicurezza senza il nostro esplicito consenso. Qualsiasi modifica annulla la nostra eventuale responsabilità per i danni che ne potrebbero derivare.

Personale qualificato

Questa cella di carico deve essere impiegata esclusivamente da personale qualificato e nel rispetto dei Dati tecnici e delle norme e alle prescrizioni di sicurezza riportate di seguito. Devono inoltre essere osservate le normative legali e sulla sicurezza previste per ogni specifica applicazione. Quanto sopra affermato vale anche per l'uso di accessori.

Per personale qualificato s'intendono coloro che abbiano familiarità con l'installazione, il montaggio, la messa in funzione e l'impiego del prodotto e che per la loro attività abbiano conseguito la corrispondente qualifica.

Prevenzione degli infortuni

Sebbene il carico di rottura indicato nel campo di distruzione sia un multiplo del carico nominale, occorre osservare le prescrizioni antinfortunistiche vigenti delle associazioni di categoria.


Opzione versione a protezione antideflagrante

- Durante il montaggio rispettare assolutamente le disposizioni corrispondenti vigenti.
- Le condizioni di installazione riportate nella dichiarazione di conformità UE e/o nel certificato di tipo devono essere rispettate.

2 Simboli utilizzati

2.1 Simboli utilizzati nelle presenti istruzioni

Gli avvisi importanti concernenti la sicurezza sono evidenziati in modo specifico. Osservare assolutamente questi avvisi al fine di evitare incidenti e danni materiali.

Simbolo	Significato
 ATTENZIONE	Questo simbolo rimanda a una <i>possibile</i> situazione di pericolo che – in caso di mancato rispetto delle disposizioni di sicurezza – <i>può causare lesioni medie o lievi</i> .
Avviso	Questo simbolo rimanda a una situazione che – in caso di mancato rispetto delle disposizioni di sicurezza – <i>può causare danni materiali</i> .
<i>Evidenziazione</i> <i>Vedere ...</i>	Il corsivo indica i punti salienti del testo e contrassegna riferimenti a capitoli, figure o documenti e file esterni.

2.2 Simboli riportati sullo strumento

Marchio CE



Con il marchio CE il costruttore garantisce che il proprio prodotto è conforme ai requisiti delle Direttive CE pertinenti (la Dichiarazione di conformità è riportata al sito web HBM (www.hbm.com) alla sezione HBMdoc).

3 Condizioni del luogo di montaggio

3.1 Pressione ambientale

La pressione ambientale deve essere compresa tra 0 e 5 bar. Osservare che le oscillazioni di pressione possono spostare il punto di zero.

Carico nominale	kg t	50	100	200	500	1	2	5	10	20
Variazione dello zero [%/10 mbar]		0,065	0,032	0,016	0,006	0,003	0,006	0,003	0,002	0,001

3.2 Avvisi speciali

I trasduttori U2A sono prodotti completamente con materiali inossidabili. La resistenza a influenze ambientali aggressive deve essere controllata dall'utente per il caso singolo.

4 Avvisi per il montaggio

- Maneggiare il trasduttore con cautela.
- La sede del trasduttore deve essere in orizzontale, completamente in piano e come la superficie di montaggio del trasduttore deve essere assolutamente pulita.
- Evitare accumuli di polvere, sporcizia ed altri corpi estranei che compromettano la mobilità del trasduttore e delle parti per l'introduzione del carico, falsificando il valore di misura.
- Non sovraccaricare i trasduttori (ad es. con carichi distribuiti in modo non uniforme); se necessario prevedere una protezione da sovraccarico (ad es. corpi di supporto).
- Ogni trasduttore dovrebbe essere ponticellato con un trefolo di rame (circa 16 mm²) già durante il montaggio o subito dopo il montaggio, affinché correnti di saldatura non attraversino il trasduttore.

5 Introduzione del carico

Le celle di carico delle serie U2A possono misurare carichi assiali sia in direzione della trazione che in direzione della pressione. Per l'introduzione di carichi in trazione (direzione preferenziale) sono previsti un perno filettato sulla parte superiore della custodia e una filettatura interna sull'adattatore.

Per un collegamento alla struttura della bilancia senza forze laterali e coppia, HBM consiglia di usare golfari snodati. I golfari snodati sono adatti all'uso con carico quasistatico (carico alternato ≤ 10 Hz). Impiegando carichi alternati è importante che il trasduttore venga montato senza gioco assiale.

Osservare le coppie di serraggio riportate per il collegamento delle viti al perno filettato e alla filettatura interna. Queste coppie di serraggio non devono essere convogliate in nessun caso nel trasduttore. Per un impiego senza adattatore è necessario prestare attenzione che la superficie di appoggio sia pulita e sia stata lavorata con cura per renderla piana e che i collegamenti delle viti al piede della cella di carico siano stati serrati correttamente.

6 Collegamento

6.1 Avvisi per il cablaggio

I campi magnetici ed elettrici causano spesso l'accoppiamento di tensioni di disturbo nel circuito di misura.

Osservare pertanto gli avvisi seguenti:

- Usare esclusivamente cavi di misura schermati ed a bassa capacità (i cavi HBM soddisfano queste condizioni).
- Non posare i cavi di misura paralleli alle linee di alta tensione e di controllo. Se ciò non fosse possibile (ad es. in vani cavi), proteggere il cavo di misura ad es. con tubi con armatura in acciaio.
- Evitare campi di dispersione di trasformatori, motori e contattori.

6.2 Tecnica di collegamento

Le celle di carico con sistema a ER possono essere collegate a:

- amplificatori di misura a frequenza portante o
- amplificatori di misura a tensione continua.

I trasduttori sono eseguiti con circuito a 6 fili. La disposizione dei collegamenti è riportata nella figura seguente.

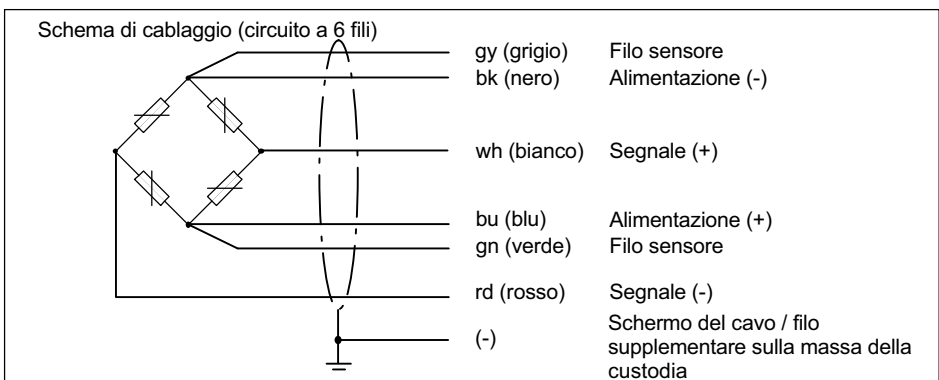


Fig. 6.1 Trasduttore con cavo di collegamento a 6 fili

6.3 Collegamento in parallelo di più trasduttori

I trasduttori commutano elettricamente in parallelo collegando fra loro le estremità dei fili dei cavi di collegamento trasduttore dello stesso colore.



ATTENZIONE

Un sovraccarico di un'unica cella di carico quindi non può essere riconosciuto dal segnale di uscita.

6.4 Collegamento con circuito a 4 fili

In caso di collegamento ad amplificatori con circuito a 4 fili, i fili bu e gn, nonché bk e gy devono essere collegati fra loro. Considerare le deviazioni dalla caratteristica e dal coefficiente termico della sensibilità così causate.

6.5 Cavo di prolungamento

I cavi di prolungamento devono essere schermati ed a bassa capacità. Si raccomanda l'impiego dei cavi HBM che soddisfano tali requisiti. Se vengono usati cavi di prolungamento, fare attenzione che il collegamento sia corretto e che presenti resistenze di contatto minime e un buon isolamento.

Usando un circuito a 6 fili, gli effetti delle variazioni della resistenza dei cavi di prolungamento vengono compensati. Prolungando il cavo nel circuito a 4 fili, la deviazione dalla caratteristica può essere eliminata con aggiustamento, gli effetti della temperatura tuttavia vengono compensati solo in caso di funzionamento con circuito a 6 fili.

6.6 Avvisi per il cablaggio

Il cavo di collegamento della cella di carico deve essere posato in modo da permettere all'acqua di condensa o all'umidità eventualmente formatasi di gocciolare. Non deve essere convogliata nella cella di carico. Inoltre è necessario garantire che l'umidità non possa penetrare nell'estremità aperta del cavo.

7 Dati tecnici

Tipo			U2A		
Classe di precisione			0,2	0,1	D1
Numero di divisioni	n_{LC}		-	-	1000
Carico nominale	E_{max}	kg	50	100, 200	500
		t	-	10, 20	1, 2, 5
Valore minimo della divisione	v_{min}	% di E_{max}	-	-	0,0286
Sensibilità nominale	C_N	mV/V	2		
Tolleranza della sensibilità					
			in trazione	%	< ± 0,20
in pressione	%	< ± 1,50	< ± 0,50	< ± 0,50	
Coefficiente termico della sensibilità ¹⁾	CT_S				
		nel campo nominale di temperatura	%/10 K	< ± 0,05	
		nel campo della temperatura di esercizio	%/10 K	< ± 0,10	
Coefficiente termico dello zero	CT_0				
		nel campo nominale di temperatura	%/10 K	< ± 0,05	< ± 0,04
		nel campo della temperatura di esercizio	%/10 K	< ± 0,10	< ± 0,05
Isteresi relativa ¹⁾	d_{hy}		< ± 0,15		< ± 0,05
Deviazione della linearità ¹⁾	d_{lin}	% di C_N	< ± 0,20	< ± 0,10	< ± 0,05
			< ± 0,06		< ± 0,05
Scorrimento oltre 30 min.	d_{cr}		< ± 0,06		< ± 0,05
Resistenza d'ingresso	R_{LC}	Ω	340 ... 450		
Resistenza di uscita	R_0	Ω	356 ± 0,2		
Resistenza di isolamento	R_{is}	G Ω	>5		
Tensione di riferimento	U_{rif}	V	5		

Tipo			U2A		
Campo nominale della tensione di alimentazione	B_U	V	0,5 ... 10	0,5 ... 12	
Max. tensione di esercizio ammessa		V	12	18	
Campo nominale della temperatura ambiente	B_T	°C	-10 ... + 40		
Campo della temperatura di esercizio²⁾	B_{Tu}		-30 ... + 85 (-30 ... +120)		
Campo della temperatura di magazzino	B_{Tl}		-50 ... + 85		
Carico limite	E_L	% di E_{max}	130	150	150
Carico di rottura	E_d		300		
Carico laterale limite statico relativo	E_{lq}		25		
Sollecitazione vibrazionale relativa ammessa	F_{srel}		100	160	
Grado di protezione secondo EN 60529 (IEC 529)			IP67		
Materiale			acciaio inossidabile ³⁾		
Corpo di misura			ottone nichelato, silicone		
Passacavo a vite			elastomero termoplastico		
Mantello del cavo					

- 1) I valori concernenti la deviazione della linearità, l'isteresi relativa ed la risposta alla temperatura della sensibilità sono valori indicativi. La somma di questi valori rientra nel limite dell'errore cumulato secondo OIML R60.
- 2) Campo della temperatura di esercizio esteso come opzione.
- 3) Secondo EN 10088-1

7.1 Valori meccanici

Carico nominale [t]	Deflessione nominale, s_{nom} , circa [mm]	Peso, (G) circa [kg]	Lunghezza del cavo [m]
0,05	< 0,1	0,8	3
0,1	< 0,1	0,8	3
0,2	< 0,1	0,8	3
0,5	< 0,1	0,8	3
1	< 0,1	0,8	3
2	< 0,07	2,9	6
5	< 0,07	4,3	6
10	< 0,09	10,7	12
20	< 0,09	15,9	12

7.2 Opzioni

- Campo della temperatura di esercizio esteso a 120 °C (non possibile con ATEX 95)

Versioni con protezione antideflagrante conformi a ATEX

- II 2 G EEx ia IIC T4 oppure T6 (zona 1)¹⁾
- II 2 D Ex tD A21 IP67 T80 °C (zona 21)¹⁾
- II 3 G EEx nA II T6 (zona 2)
- II 3 D IP67 T80 °C (zona 22 per polvere non conduttiva)

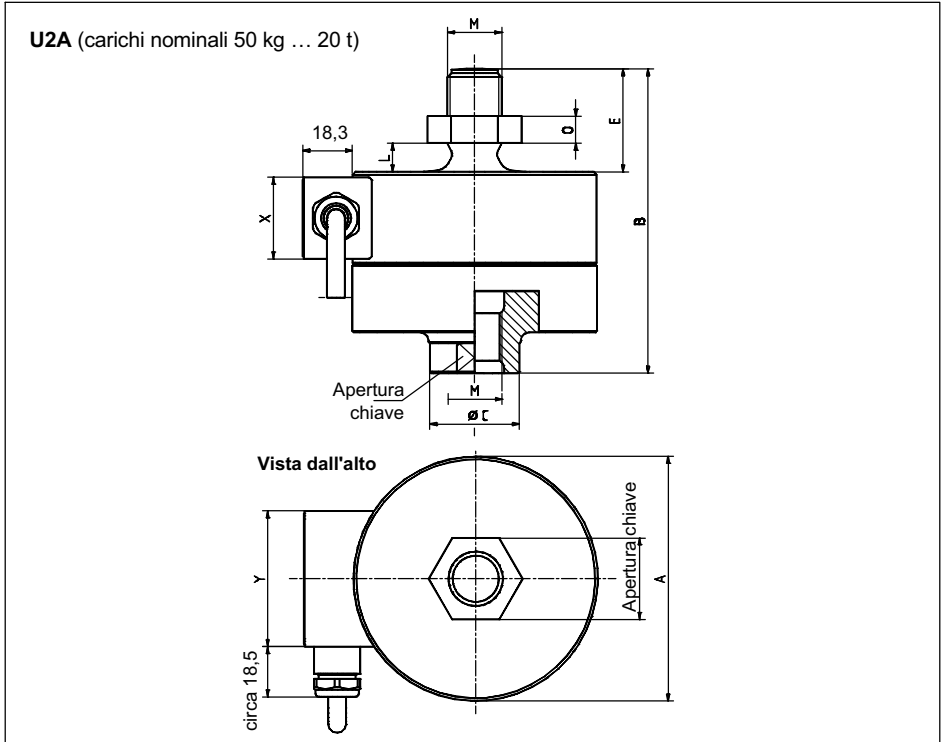
Accessori, da ordinare separatamente

- Golfare snodato U2A, in alto, U2A/.../ZGOW
- Golfare snodato U2A, in basso, U2A/.../ZGUW
- Cavo di messa a terra EEK

¹⁾ Con certificato dell'esame di tipo EC

8 Dimensioni (in mm)

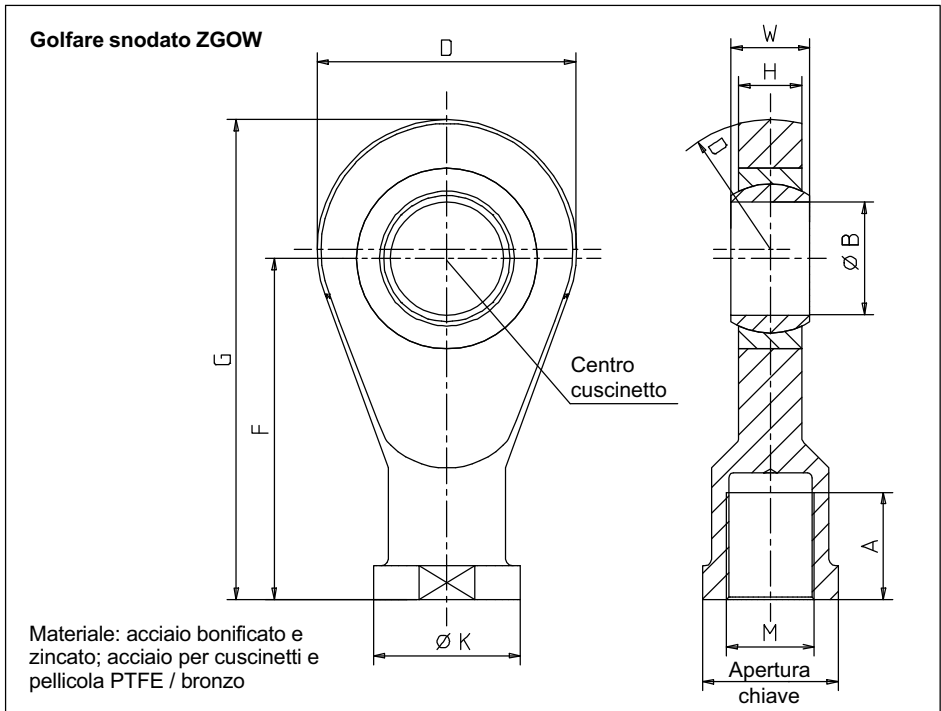
8.1 Trasduttore



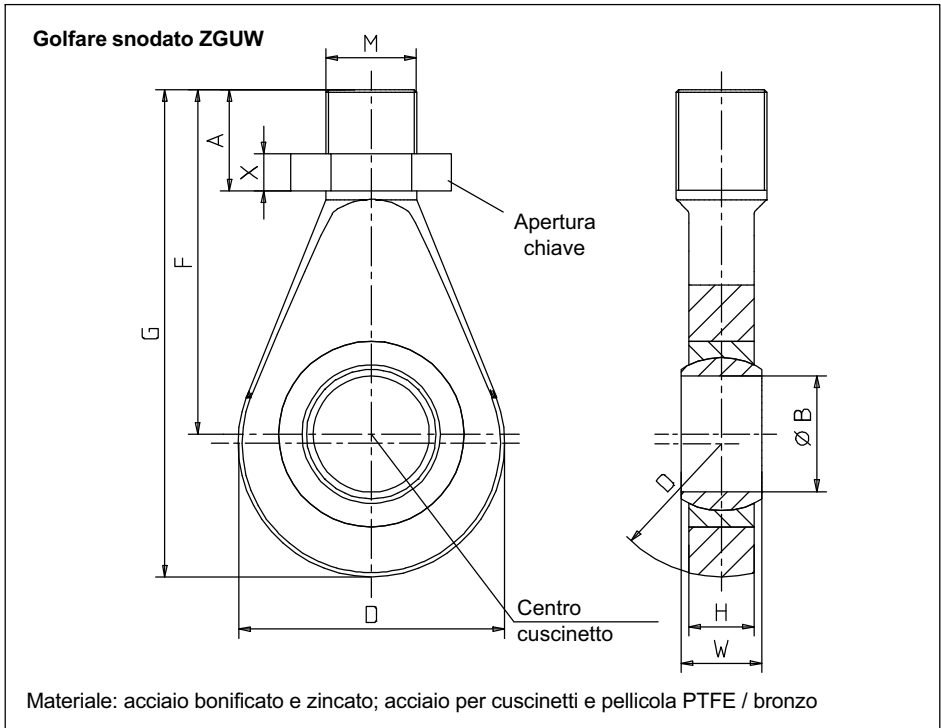
Carico nominale in t	ØA _{0,2}	B	C	E	L _{min}	M	O	Apertura chiave	X	Y
0,05 ... 1	50	72	21	24	5 ¹⁾	M12	6	19	20	35
2	90	112	33	38	10,6	M20x1,5	10	30	30	50
5	100	141	40	47	13,2	M24x2	12	36	30	50
10	135	197	68	67	19	M39x2	19	60	30	50
20	155	232	82	85	24,2	M48x2	22	70	30	50

¹⁾ Con U2A/1t: 7,4 mm

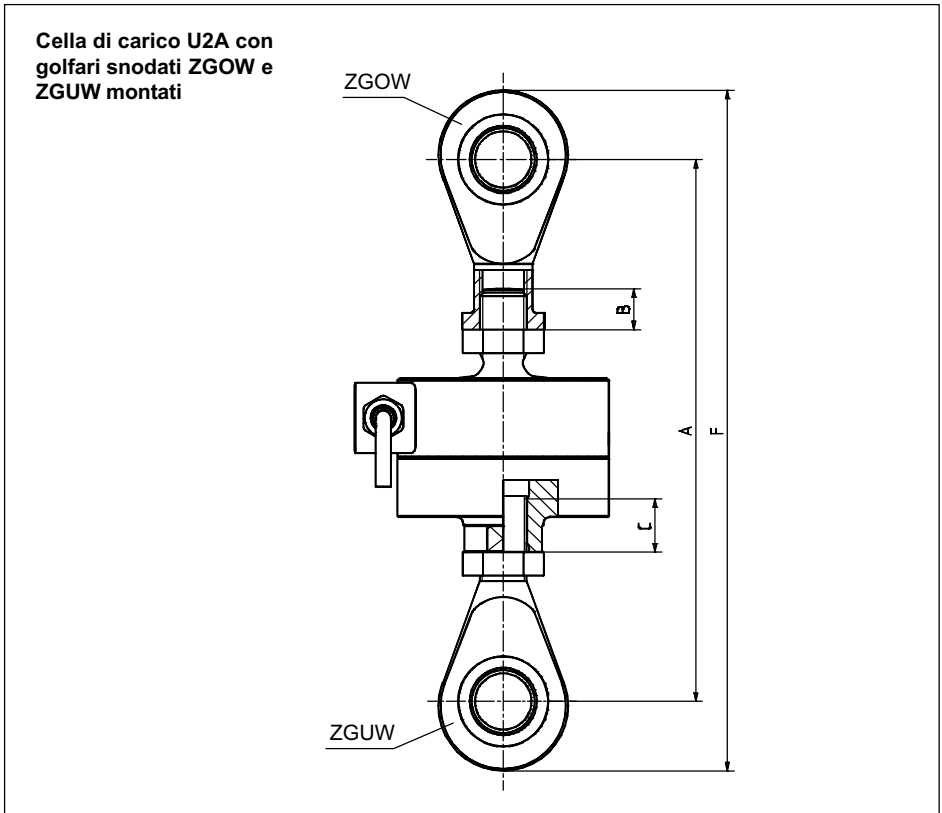
8.2 Accessori di montaggio



Carico nom. [t]	Golfare snodato ZGOW	Peso [kg]	A	Ø B	D	F	G	H	ØK	M	Apertura chiave	W
0,05 ... 1	U2A/1T/ ZGOW	0,2	22	12 ^{H7}	32	50	66	12	22	M12	19	16
2	U2A/2T/ ZGOW	0,5	33	20 ^{H7}	50	77	102	18	34	M20x 1,5	32	25
5	U2A/5T/ ZGOW	0,8	42	25 ^{H7}	60	94	124	22	42	M24x 2	36	31
10	U2A/10T /ZGOW	3,2	50	50 ^{+0,002 -0,014}	115	151	212,5	28	65	M39x 2	60	35
20	U2A/20T /ZGOW	4,8	60	60 ^{+0,003 -0,018}	126	167	235	36	82	M48x 2	70	44



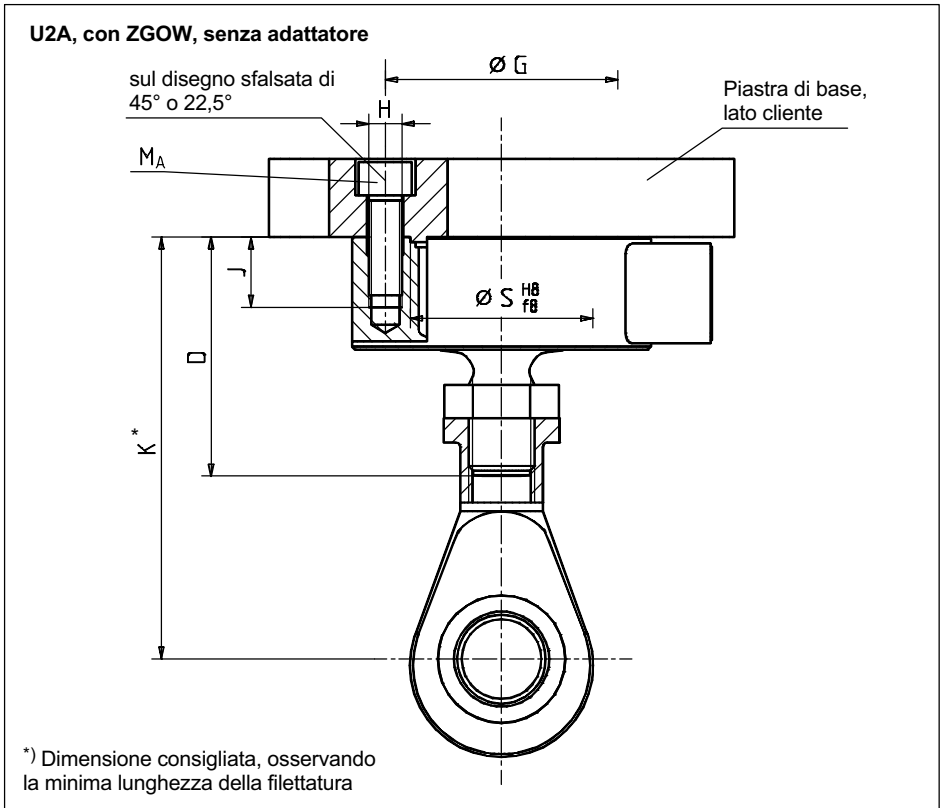
Ca- rico nom. [t]	Golfare snodato ZGUW	Peso [kg]	A	Ø B	D	F	G	H	M	Aper- tura chiave	W	X
0,05 ... 1	U2A/1T/ ZGUW	0,1	33	12 ^{H7}	32	54	70	12	M12	19	16	7
2	U2A/2T/ ZGUW	0,2	47	20 ^{H7}	50	78	103	18	M20 x1,5	32	25	9
5	U2A/5T/ ZGUW	0,4	57	25 ^{H7}	60	94	124	22	M24 x2	36	31	10
10	U2A/10T /ZGUW	1,1	65,5	50 ^{+0,002 -0,014}	115	148,5	210	28	M39 x2	60	35	16
20	U2A/20T /ZGUW	3,2	80	60 ^{+0,003 -0,018}	126	168	236	36	M48 x2	70	44	18



Carico nominale [t]	A_{min}	A_{max}	F_{min}	F_{max}
0,05 ... 0,5	139	156	171	188
1	141	156	173	188
2	212	234	262	284
5	260	288	320	348
10	418	436	541	559
20	466	489	602	625

Carico nominale [t]	Minima lunghezza della filettatura		Coppia di serraggio M_A [N·m]
	B	C	
0,05 ... 0,5	9,6	9,6	60 ¹⁾
1	9,6	9,6	60
2	16	16	300
5	19,2	19,2	500
10	27	31,2	2500
20	36,6	38,4	4500

- 1) Per evitare di danneggiare la sottile membrana di misura, non superare questo valore e maneggiare con cura la cella di carico durante il suo fissaggio. Bloccare di conseguenza il controdado.



Carico nominale [t]	D	ØG	H	J	K	ØS	MA ¹⁾ [N·m]
0,05 ... 0,5	47	42	4xM5	13	84...86,4	34	5
1	47	42	4xM5	13	86,4	34	5
2	72	70	4xM10	20,5	131,6	55	35
5	86	78	4xM12	19	158,2	61	60
10	122	105	8 x M12	16	244	79	60
20	142	125	8xM16	26	270,2	97	150

1) Valori consigliati con filetto asciutto ed usando una chiave dinamometrica

托驰（上海）工业传感器有限公司
上海市嘉定区华江路348号1号楼707室
电话: +86 021 51069888
传真: +86 021 51069009
邮箱: zhang@yanatoo.com
网址: www.sensor-hbm.com

measure and predict with confidence

