

Mounting Instructions

Montageanleitung

Notice de montage

Force transducer

Kraftaufnehmer

Capteurs de force

C9B



English **Seite 3 – 17**
Deutsch **Page 19 – 34**
Français **Page 35 – 52**

Contents	Page
Safety information	4
1 Scope of supply	8
2 General application instructions	8
3 Construction and mode of operation	9
3.1 Transducer	9
3.2 SG cover	9
4 Conditions on site	10
4.1 Ambient temperature	10
4.2 Moisture and corrosion protection	10
4.3 Deposits	11
4.4 External pressure	11
5 Mechanical installation	12
5.1 Important precautions during installation	12
5.2 General installation guidelines	12
5.3 Installation	13
6 Electrical connection	14
6.1 Connection with four-wire configuration	14
6.2 Shortening the cable	14
6.3 Cable extension	15
6.4 EMC protection	15
7 Specifications (VDI/VDE 2638)	16
8 Dimensions	17

Safety information

Designated use

The force transducers in the type series C9B are solely designed for measuring static and dynamic compressive forces within the load limits specified by the technical data for the respective maximum capacities. Any other use is not the designated use.

To ensure safe operation, the regulations in the assembly and operating instructions, together with the following safety rules and regulations, and the data specified in the technical data sheets, must be complied with. It is also essential to observe the applicable legal and safety regulations for the application concerned.

The force transducers are not intended for use as safety components. Please also refer to the section "Additional safety precautions". Proper and safe operation of the force transducer requires proper transportation, correct storage, siting and mounting, and careful operation.

Loading capacity limits

The data in the technical data sheet must be complied with when using the force transducer. In particular, the respective maximum loads specified must never be exceeded. The following limits set out in the technical data sheets must not be exceeded

- Limit forces
- Lateral limit forces
- Breaking forces
- Permissible dynamic loads
- Temperature limits
- Limits of electrical loading capacity

Please note that when several force transducers are interconnected, the load/force distribution is not always uniform.

Use as a machine element

The force transducers can be used as machine elements. When used in this manner, it must be noted that, to favor greater sensitivity, force transducers cannot be designed with the safety factors usual in mechanical engineering. Please refer here to the section "Loading capacity limits" and the technical data.

Accident prevention

The prevailing accident prevention regulations must be taken into account, even though the nominal (rated) force values in the destructive range are well in excess of the full scale value.

Additional safety precautions

The force transducers cannot (as passive transducers) implement any (safety-relevant) cutoffs. This requires additional components and constructive measures for which the installer and operator of the plant is responsible.

In cases where a breakage or malfunction of the force transducer would cause injury to persons or damage to equipment, the user must take appropriate additional safety measures that meet at least the requirements of applicable safety and accident prevention regulations (e.g. automatic emergency shutdown, overload protection, catch straps or chains, or other fall protection).

The layout of the electronics conditioning the measurement signal should be such that measurement signal failure does not cause damage.

General dangers of failing to follow the safety instructions

The force transducers are state-of-the-art and reliable. Transducers can give rise to remaining dangers if they are incorrectly operated or inappropriately mounted, installed and operated by untrained personnel. Every person involved with siting, starting-up, operating or repairing a force transducer must have read and understood the mounting instructions and in particular the technical safety instructions. The force transducers can be damaged or destroyed by non-designated use of the force transducer or by non-compliance with the mounting and operating instructions, these safety instructions or any other applicable safety regulations (BG safety and accident prevention regulations) when using the force transducers. Force transducers can break, particularly in the case of overloading. The breakage of a force transducer can also cause damage to property or injury to persons in the vicinity of the force transducer.

If force transducers are not used according to their designated use, or if the safety instructions or specifications in the mounting- and operating instructions are ignored, it is also possible that the force transducer may fail or malfunction, with the result that persons or property may be affected (due to the loads acting on or being monitored by the force transducer).

The scope of supply and performance of the transducer covers only a small area of force measurement technology, as measurements with (resistive) strain gage sensors presuppose the use of electronic signal processing. In addition, equipment planners, installers and operators should plan, implement and respond to the safety engineering considerations of force measurement

technology in such a way as to minimize residual dangers. Prevailing regulations must be complied with at all times.

Markings used in this document

The marking below warns of a *potentially* dangerous situation in which failure to comply with safety requirements *can* result in death or serious physical injury.

 **WARNING**

Description of a potentially dangerous situation

Measures to avoid/prevent the danger

The marking below warns of a *potentially* dangerous situation in which failure to comply with safety requirements *can* result in slight or moderate physical injury.

 **CAUTION**

Description of a potentially dangerous situation

Measures to avoid/prevent the danger

The marking below warns of a situation in which failure to comply with safety requirements *could* lead to damage to property.

NOTE

Description of a situation that could lead to damage to property

The marking below draws your attention to important information about the product or about handling the product.

 **Important**

Important information

The marking below contains application tips or other information that is useful to you.

**Tip**

Information/Application instructions

Conversions and modifications

The transducer must not be modified from the design or safety engineering point of view except with our express agreement. Any modification shall exclude all liability on our part for any damage resulting therefrom.

Maintenance

The C9B force transducer is maintenance-free.

Disposal

In accordance with national and local environmental protection and material recovery and recycling regulations, old transducers that can no longer be used must be disposed of separately and not with normal household garbage.

If you need more information about waste disposal, please contact your local authorities or the dealer from whom you purchased the product.

Qualified personnel

Qualified personnel means persons entrusted with siting, mounting, starting up and operating the product, who possess the appropriate qualifications for their function.

This includes people who meet at least one of the three following requirements:

- Knowledge of the safety concepts of automation technology is a requirement and as project personnel, you must be familiar with these concepts.
- As automation plant operating personnel, you have been instructed how to handle the machinery. You are familiar with the operation of the equipment and technologies described in this documentation.
- As commissioning engineers or service engineers, you have successfully completed the training to qualify you to repair the automation systems. You are also authorized to activate, ground and label circuits and equipment in accordance with safety engineering standards.

It is also essential to comply with the legal and safety requirements for the application concerned during use. The same applies to the use of accessories.

The force transducer must only be installed by qualified personnel, strictly in accordance with the specifications and with the safety requirements and regulations listed below.

1 Scope of supply

- 1 Force transducer C9B
- 1 Mounting instructions
- 1 Manufacturing certificate

2 General application instructions

Force transducers in the C9B type series are suitable for measuring compressive forces. Because they provide highly accurate static and dynamic force measurements, they must be handled very carefully. Particular care must be taken when transporting and installing the devices. Dropping or knocking the transducers may cause permanent damage.

The relatively thin housing top and base must not be damaged, otherwise the transducer will become useless, see section 3.2 on Page 9.

The specifications list the permissible limits for mechanical, thermal and electrical stress. It is essential that these are taken into account when planning the measuring set-up, during installation and ultimately, during operation.

3 Construction and mode of operation

3.1 Transducer

The measuring body is a membrane that is mounted on four strain gages (SG) so that two are stretched and two compressed. Force is applied to the measuring body of the C9B via a ball-shaped load button (see also Page 13). The membrane with the SG is elastically deformed by the force acting in the measuring direction. The strain gauge changes its ohmic resistance in proportion to its change in length and so unbalances the Wheatstone bridge. If there is a bridge excitation voltage, the circuit produces an output signal proportional to the change in resistance and thus also proportional to the applied force.

3.2 SG cover

To protect the SG, the C9B force transducers are welded on the base, and on the top with some types, with a thin metal plate cover (Fig 3.1). This procedure offers the SG a high protection against environmental influences.

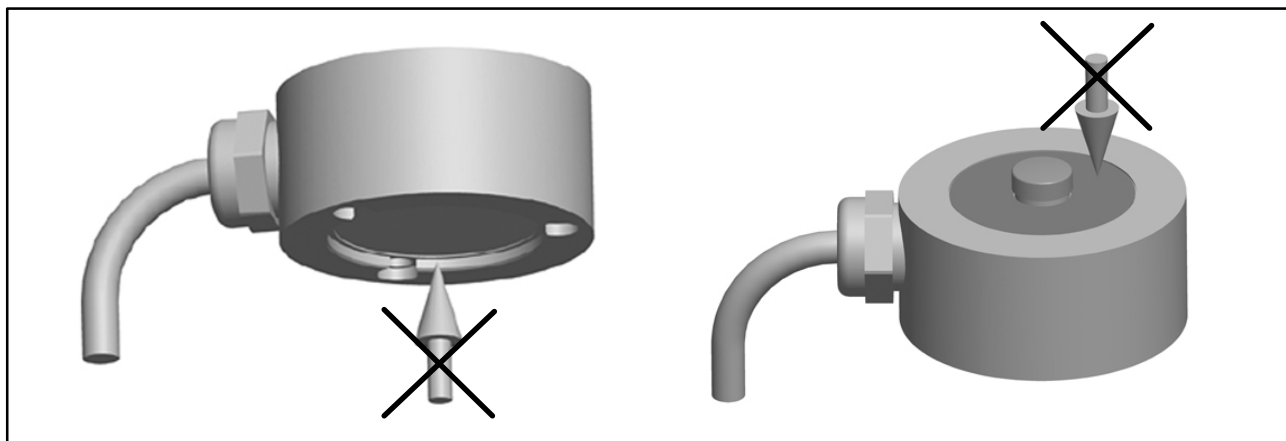


Fig 3.1: SG protection

NOTE

The relatively thin housing cover (specially within the measuring range up to 200 N) and base (all measuring ranges) of the transducer must not be stressed. The specifications list the permissible limits for mechanical, thermal and electrical stress. They must be complied with, otherwise the transducer can be destroyed.

4 Conditions on site

Protect the transducer from weather conditions such as rain, snow, ice and salt water.

4.1 Ambient temperature

The temperature effects on the zero signal and on the sensitivity are compensated.

To obtain optimum measurement results, the nominal (rated) temperature range must be complied with. Constant, or very slowly changing, temperatures are best. Temperature-related measurement errors are caused by heating on one side (e.g. radiant heat) or by cooling. A radiation shield and all-round thermal insulation produces noticeable improvements, but must not be allowed to set up a force shunt.



Tip

Hand warmth can cause a one-sided warming of the transducer. Such temperature gradients can change, e.g. the zero point of the transducer. We therefore recommend, after such warming, to wait approx. 15 minutes before starting measurements so that the thermal equilibrium can be restored.

4.2 Moisture and corrosion protection

Series C9B force transducers are hermetically encapsulated and are therefore very insensitive to moisture. The transducers reach the protection class IP67 per DIN EN 60259 (test conditions: 0.5 hours under 1 m water column). Nevertheless, the force transducers must be protected against permanent moisture influence.

The housing of the transducer is completely made of stainless steel. The transducer must be protected against chemicals that could attack the transducer body steel or the cable (polyurethane, PUR).

With stainless steel force transducers, please note that acids and all materials which release ions will also attack stainless steels and their welded seams. Should there be any corrosion, this could cause the force transducer to fail. In this case, appropriate protective measures must be implemented.

NOTE

Moisture must not be allowed to penetrate the free end of the connection cable. Otherwise the characteristic values of the transducer could change and therefore cause measurement errors.

4.3 Deposits

Dust, dirt and other foreign matter must not be allowed to accumulate sufficiently to divert some of the measuring force onto the housing, thus invalidating the measured value (force shunt).

4.4 External pressure

The external air pressure for the transducer with measuring ranges ≥ 500 N must lie between 0 and 5 bar. Please note that pressure fluctuations can shift the zero point.

Nominal (rated) force		N	kN						
		50...200 ^{*)}	0.5	1	2	5	10	20	50
Zero point variation with an ambient pressure variation of 10 mbar (relative to nominal (rated) force)	%	0.01	0.01	0.006	0.01	0.004	0.002	0.002	0.001

^{*)} when used in pressure range 800 – 1200 mbar

5 Mechanical installation

5.1 Important precautions during installation

- Handle the transducer carefully.
- Do not permit welding currents to flow over the transducer. If this danger exists, you must shunt the transducer electrically with a suitable low-resistance connection. HBM offers e.g. the highly flexible EEK ground cable for this purpose, which can be screwed on, both above and below the transducer.
- Ensure that the transducer cannot be overloaded.

WARNING

There is a danger of the transducer breaking if it is overloaded. This can cause danger for the operating personnel of the system in which the transducer is installed.

Implement appropriate safety measures to avoid overloads or to protect against resulting dangers.

5.2 General installation guidelines

The forces to be measured must act on the transducer as accurately as possible in the direction of measurement. Torsional and bending moments, eccentric loading and lateral forces may produce measurement errors and destroy the transducer, if limit values are exceeded. Interference effects must be absorbed by suitable construction elements, whereby these elements must not absorb any loads in the measuring direction of the transducer.

Important

The cable fastening side of the transducer should always be connected directly with the rigid customer-side force transfer areas. Ensure that the cable is laid so that, where possible, no force shunt is caused by the cable (e.g. through the weight or stiffness of the cable).

5.3 Installation

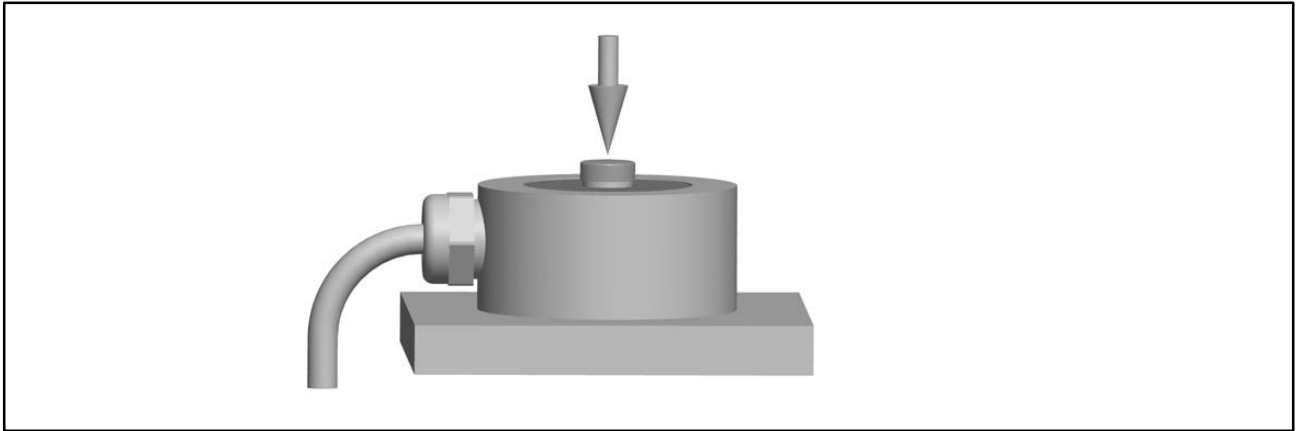


Fig 5.1: Force application

Force application is implemented via the ball-shaped load button on the top of the transducer (Fig 5.1).

The component that transfer the force to the ball-shaped load button must be clean and ground. Recommended hardness: 43 HRC.

6 Electrical connection

The following can be connected for measurement signal conditioning:

- Carrier-frequency amplifier
- DC amplifier

designed for strain gage measurement systems.

The C9B force transducer is delivered with a four-wire configuration.

6.1 Connection with four-wire configuration

The transducer is delivered with a 1.5 m cable with free ends as standard.

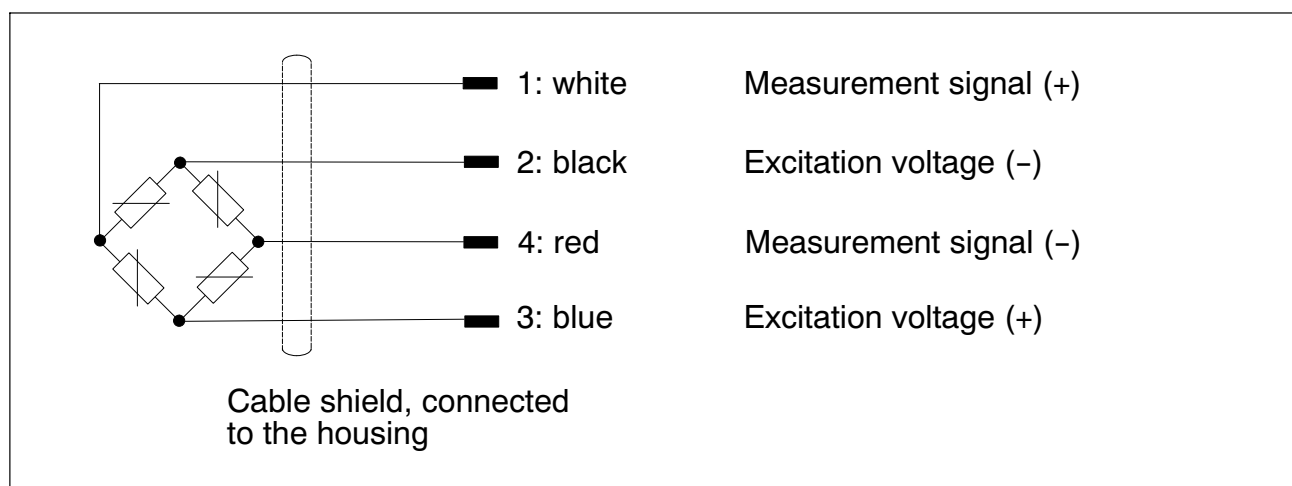


Fig 6.1: Transducer with a four-core connection cable

With this cable assignment, the output voltage at the measuring amplifier is positive when the transducer is loaded with compressive forces. If a negative output voltage is required at the amplifier when the transducer is under compressive loading, the two measurement signal leads must be transposed.

The connection cable shielding is connected to the transducer housing. Transducers with free cable ends must be fitted with connectors complying with the EMC guidelines. The shielding must be connected extensively. With other connection techniques, an EMC-proof screen should be applied in the wire area and this screen should also be connected extensively (see also HBM Greenline Information, brochure i1577).

6.2 Shortening the cable

The cable can be shortened, influence on the temperature coefficients of the characteristic values or the sensitivity itself is low.



Important

Balancing resistors (for sensitivity adjustment) are mounted on a PCB inside a colored shrinkdown plastic tubing on transducers with nominal (rated) load of 50 N, 100 N and 200 N. If the cable is to be shortened, you must solder the PCB back into the connection cable according to the labels on the PCB.

6.3 Cable extension

Only use shielded, low-capacitance measurement cables for extension. Ensure that connection is perfect, with a low contact resistance. We recommend implementing extensions using six-wire configuration to exclude changes to the sensitivity.

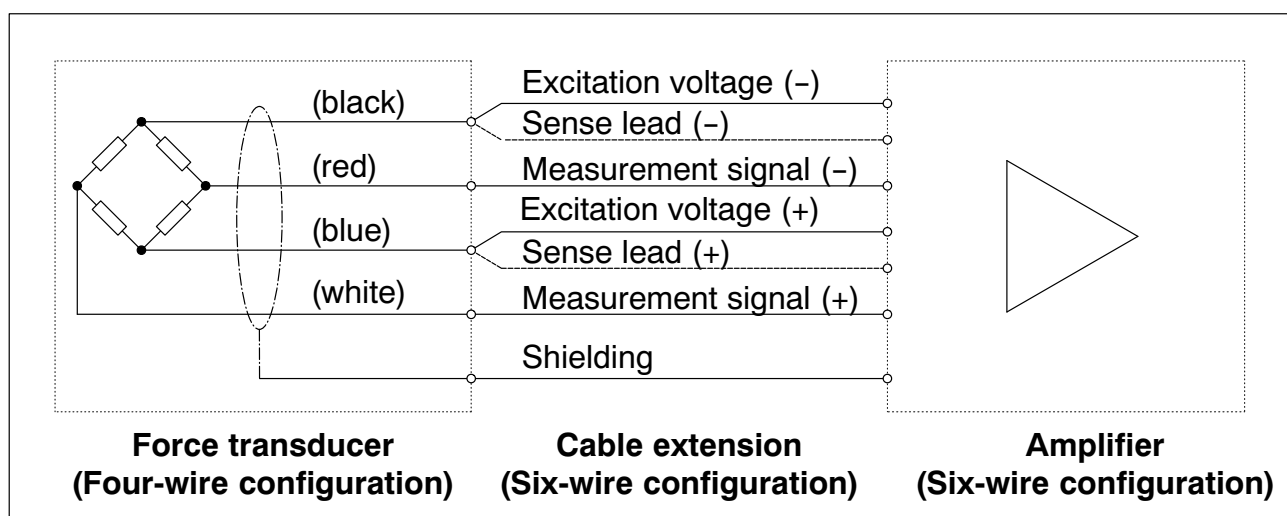


Fig 6.2: Transducer connection to amplifier with six-wire configuration

6.4 EMC protection

Electrical and magnetic fields often induce interference voltages in the measuring circuit. Therefore:

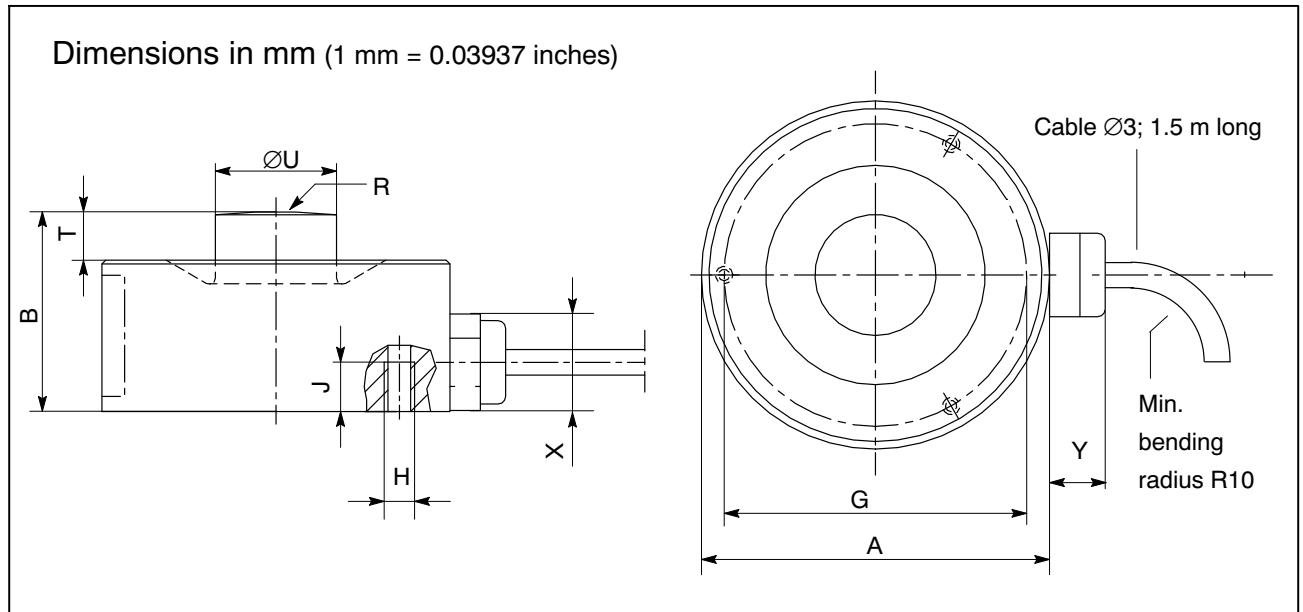
- Use shielded, low-capacitance measurement cables only (HBM cables fulfill both conditions).
- Do not route the measurement cables parallel to power lines and control circuits. If this is not possible, protect the measurement cable with e. g. steel conduit.
- Avoid stray fields from transformers, motors and contact switches.
- Do not ground the transducer, amplifier and indicator more than once.
- Connect all devices in the measurement chain to the same grounded conductor.

7 Specifications (VDI/VDE 2638 standards)

Type	C9B											
Nominal (rated) force	F_{nom}	N	50	100	200							
		kN				0.5	1	2	5	10	20	50
Nominal (rated) sensitivity	C_{nom}	mV/V	≤ 1									
Accuracy class			0.5									
Relative sensitivity error	d_C	%	≤ 1									
Relative reproducibility error with unchanging mounting position	b_{rg}	%	$\leq \pm 0.5$									
Zero signal error	$d_{s,0}$	mV/V	± 0.075			± 0.2						
Relative reversibility error (at 0.5 F_{nom})	$v_{0.5}$	%	$\leq \pm 0.5$									
Relative linearity error	d_{lin}	%	$\leq \pm 0.5$									
Relative creep over 30 min	d_{crf+E}	%	$\leq \pm 0.2$									
Effect of temperature on the sensitivity per 10 K in the nominal (rated) temperature range in the operating temp. range	TK_C	%	$\leq \pm 0.5$									
		%	$\leq \pm 0.8$									
Effect of temperature on the zero signal per 10 K in the nominal (rated) temperature range in the operating temp. range	TK_0	%	$\leq \pm 0.5$									
		%	$\leq \pm 0.8$									
Output resistance	R_o	Ω	300 ... 400			< 350						
Input resistance	R_i	Ω	> 345			300 ... 400						
Insulation resistance	R_{is}	G Ω	> 10^9									
Reference excitation voltage	U_{ref}	V	5									
Operating range of excitation voltage	$B_{U,G}$	V	0.5 ... 12									
Reference temperature	T_{ref}	$^{\circ}C$	+23									
Nominal (rated) temperature range	$B_{T,nom}$	$^{\circ}C$	-10 ... +70									
Operating temperature range	$B_{T,G}$	$^{\circ}C$	-30 ... +85									
Storage temperature range	$B_{T,S}$	$^{\circ}C$	-30 ... +85									
Max. operating force	(F_G)	% v. F_{nom}	300			120						
Breaking force	(F_B)		> 400									
Static lateral force limit ¹⁾	(F_Q)		100			40						
Nominal (rated) displacement $\pm 15\%$	s_{nom}	mm	< 0.1			0.04	0.06	0.09	0.11	0.13		
Fundamental resonance frequency $\pm 15\%$	f_G	kHz	7.3	10	15.7	3.5	5	7	13	15.1	20	12
Permissible oscillatory stress (vibration bandwidth per DIN 50100)	F_{rb}	% v. F_{nom}	70									40
Weight, approx.	g		55			65			260			
Degree of protection per DIN EN 60529			IP67									
Cable length		m	1.5									

¹⁾ referred to a force application point 2 mm above membrane

8 Dimensions



Nominal (rated force) C9B	A _{-0.1}	B	G _{±0.1}	H	J	R	T	U _{-0.1}	X	Y
50 ... 200 N	26	15	20.5	3xM3	6	20	2.5	5.5	approx. 10.5	approx. 5.5
0.5 ... 20 kN	26	13	22.75	3xM2	3.5	40	1	8	approx. 10.5	approx. 5.5
50 kN	46	28	40	4xM4	6	80	8	16	approx. 10.5	approx. 5.5

Inhalt	Seite
Sicherheitshinweise	20
1 Lieferumfang	25
2 Allgemeine Anwendungshinweise	25
3 Aufbau und Wirkungsweise	26
3.1 Aufnehmer	26
3.2 DMS-Abdeckung	26
4 Bedingungen am Einbauort	27
4.1 Umgebungstemperatur	27
4.2 Feuchtigkeits- und Korrosionsschutz	27
4.3 Ablagerungen	28
4.4 Außendruck	28
5 Mechanischer Einbau	29
5.1 Wichtige Vorkehrungen beim Einbau	29
5.2 Allgemeine Einbaurichtlinien	29
5.3 Einbau	30
6 Elektrischer Anschluss	31
6.1 Anschluss in Vierleiter-Technik	31
6.2 Kabelkürzung	31
6.3 Kabelverlängerung	32
6.4 EMV-Schutz	32
7 Technische Daten (VDI/VDE 2638)	33
8 Abmessungen	34

Sicherheitshinweise

Bestimmungsgemäßer Gebrauch

Die Kraftaufnehmer der Typenreihe C9B sind ausschließlich für die Messung statischer und dynamischer Druckkräfte im Rahmen der durch die technischen Daten spezifizierten Belastungsgrenzen konzipiert. Jeder andere Gebrauch ist nicht bestimmungsgemäß.

Zur Gewährleistung eines sicheren Betriebes sind die Vorschriften der Montage- und Betriebsanleitung sowie die nachfolgenden Sicherheitsbestimmungen und die in den technischen Datenblättern mitgeteilten Daten unbedingt zu beachten. Zusätzlich sind die für den jeweiligen Anwendungsfall zu beachtenden Rechts- und Sicherheitsvorschriften zu beachten.

Die Kraftaufnehmer sind nicht zum Einsatz als Sicherheitsbauteile bestimmt. Bitte beachten Sie hierzu den Abschnitt „Zusätzliche Sicherheitsvorkehrungen“. Der einwandfreie und sichere Betrieb der Kraftaufnehmer setzt sachgemäßen Transport, fachgerechte Lagerung, Aufstellung und Montage sowie sorgfältige Bedienung voraus.

Belastbarkeitsgrenzen

Beim Einsatz der Kraftaufnehmer sind die Angaben in den technischen Datenblättern unbedingt zu beachten. Insbesondere dürfen die jeweils angegebenen Maximalbelastungen keinesfalls überschritten werden. Nicht überschritten werden dürfen die in den technischen Datenblättern angegebenen

- Grenzkräfte
- Grenzquerkräfte
- Bruchkräfte
- Zulässigen dynamische Belastungen
- Temperaturgrenzen
- Grenzen der elektrischen Belastbarkeit

Beachten Sie bei der Zusammenschaltung mehrerer Kraftaufnehmer, dass die Last-/Kraftverteilung nicht immer gleichmäßig ist.

Einsatz als Maschinenelemente

Die Kraftaufnehmer können als Maschinenelemente eingesetzt werden. Bei dieser Verwendung ist zu beachten, dass die Kraftaufnehmer zu Gunsten einer hohen Messempfindlichkeit nicht mit den im Maschinenbau üblichen Sicherheitsfaktoren konstruiert wurden. Beachten Sie hierzu den Abschnitt „Belastbarkeitsgrenzen“ und die technischen Daten.

Unfallverhütung

Obwohl die angegebene Nennkraft im Zerstörungsbereich ein Mehrfaches vom Messbereichsendwert beträgt, müssen die einschlägigen Unfallverhütungsvorschriften der Berufsgenossenschaften berücksichtigt werden.

Zusätzliche Sicherheitsvorkehrungen

Die Kraftaufnehmer können (als passive Aufnehmer) keine (sicherheitsrelevanten) Abschaltungen vornehmen. Dafür bedarf es weiterer Komponenten und konstruktiver Vorkehrungen, für die der Errichter und Betreiber der Anlage Sorge zu tragen hat.

Falls bei Bruch oder Fehlfunktion der Kraftaufnehmer Menschen oder Sachen zu Schaden kommen können, müssen vom Anwender geeignete zusätzliche Sicherheitsvorkehrungen getroffen werden, die zumindest den Anforderungen der einschlägigen Unfallverhütungsvorschriften genügen (z. B. automatische Notabschaltungen, Überlastsicherungen, Fanglaschen oder -ketten oder andere Absturzsicherungen).

Die das Messsignal verarbeitende Elektronik ist so zu gestalten, dass bei Ausfall des Messsignals keine Folgeschäden auftreten können.

Allgemeine Gefahren bei Nichtbeachten der Sicherheitshinweise

Die Kraftaufnehmer entsprechen dem Stand der Technik und sind betriebssicher. Von den Aufnehmern können Gefahren ausgehen, wenn sie von ungeschultem Personal oder unsachgemäß montiert, aufgestellt, eingesetzt und bedient werden. Jede Person, die mit Aufstellung, Inbetriebnahme, Betrieb oder Reparatur eines Kraftaufnehmers beauftragt ist, muss die Montageanleitung und insbesondere die sicherheitstechnischen Hinweise gelesen und verstanden haben. Bei nicht bestimmungsgemäßem Gebrauch der Kraftaufnehmer, bei Nichtbeachtung der Montage- und Bedienungsanleitung, dieser Sicherheitshinweise oder sonstiger einschlägiger Sicherheitsvorschriften (Unfallverhütungsvorschriften der BG) beim Umgang mit den Kraftaufnehmern, können die Kraftaufnehmer beschädigt oder zerstört werden. Insbesondere bei Überlastungen kann es zum Bruch von Kraftaufnehmern kommen. Durch den Bruch eines Kraftaufnehmers können darüber hinaus Sachen oder Personen in der Umgebung des Kraftaufnehmers zu Schaden kommen.

Werden Kraftaufnehmer nicht ihrer Bestimmung gemäß eingesetzt, oder werden die Sicherheitshinweise oder die Vorgaben der Montage- oder Bedienungsanleitung außer Acht gelassen, kann es ferner zum Ausfall oder zu Fehlfunktionen der Kraftaufnehmer kommen, mit der Folge, dass (durch auf die Kraftaufnehmer einwirkende oder durch diese überwachte Lasten) Menschen oder Sachen zu Schaden kommen können.

Der Leistungs- und Lieferumfang des Aufnehmers deckt nur einen Teilbereich der Kraftmesstechnik ab, da Messungen mit (resistiven) DMS-Sensoren eine elektronische Signalverarbeitung voraussetzen. Sicherheitstechnische Belange der Kraftmesstechnik sind zusätzlich vom Anlagenplaner/Ausrüster/Betreiber so zu planen, zu realisieren und zu verantworten, dass Restgefahren minimiert werden. Jeweils existierende Vorschriften sind zu beachten.

Die folgende Kennzeichnung weist auf eine *mögliche* gefährliche Situation hin, die – wenn die Sicherheitsbestimmungen nicht beachtet werden – Tod oder schwere Körperverletzung zur Folge *haben kann*.

 WARNUNG**Beschreibung einer möglicherweise gefährlichen Situation**

Maßnahmen zur Vermeidung/Abwendung der Gefahr

Die folgende Kennzeichnung weist auf eine *mögliche* gefährliche Situation hin, die – wenn die Sicherheitsbestimmungen nicht beachtet werden – leichte oder mittlere Körperverletzung zur Folge *haben kann*.

 VORSICHT**Beschreibung einer möglicherweise gefährlichen Situation**

Maßnahmen zur Vermeidung/Abwendung der Gefahr

Die folgende Kennzeichnung weist auf eine Situation hin, die – wenn die Sicherheitsbestimmungen nicht beachtet werden – Sachschäden zur Folge *haben kann*.

HINWEIS

Beschreibung einer Situation, die zu Sachschäden führen kann

Die folgende Kennzeichnung weist auf wichtige Informationen zum Produkt oder zur Handhabung des Produktes hin.



Wichtig

Wichtige Hinweise

Die folgende Kennzeichnung enthält Anwendungstipps oder andere für Sie nützliche Informationen.



Tipp

Information/Anwendungshinweis

Umbauten und Veränderungen

Der Aufnehmer darf ohne unsere ausdrückliche Zustimmung weder konstruktiv noch sicherheitstechnisch verändert werden. Jede Veränderung schließt eine Haftung unsererseits für daraus resultierende Schäden aus.

Wartung

Der Kraftaufnehmer C9B ist wartungsfrei.

Entsorgung

Nicht mehr gebrauchsfähige Aufnehmer sind gemäß den nationalen und örtlichen Vorschriften für Umweltschutz und Rohstoffrückgewinnung getrennt von regulärem Hausmüll zu entsorgen.

Falls Sie weitere Informationen zur Entsorgung benötigen, wenden Sie sich bitte an die örtlichen Behörden oder an den Händler, bei dem Sie das Produkt erworben haben.

Qualifiziertes Personal

Qualifiziertes Personal sind Personen, die mit Aufstellung, Montage, Inbetriebsetzung und Betrieb des Produktes vertraut sind und die über die ihrer Tätigkeit entsprechende Qualifikationen verfügen.

Dazu zählen Personen, die mindestens eine der drei folgenden Voraussetzungen erfüllen:

- Ihnen sind die Sicherheitskonzepte der Automatisierungstechnik bekannt und Sie sind als Projektpersonal damit vertraut.
- Sie sind Bedienungspersonal der Automatisierungsanlagen und im Umgang mit den Anlagen unterwiesen. Sie sind mit der Bedienung der in dieser Dokumentation beschriebenen Geräten und Technologien vertraut.

- Sie sind Inbetriebnehmer oder für den Service eingesetzt und haben eine Ausbildung absolviert, die Sie zur Reparatur der Automatisierungsanlagen befähigt. Außerdem haben Sie eine Berechtigung, Stromkreise und Geräte gemäß den Normen der Sicherheitstechnik in Betrieb zu nehmen, zu erden und zu kennzeichnen.

Bei der Verwendung sind zusätzlich die für den jeweiligen Anwendungsfall erforderlichen Rechts- und Sicherheitsvorschriften zu beachten. Sinngemäß gilt dies auch bei Verwendung von Zubehör.

Der Kraftaufnehmer ist nur von qualifiziertem Personal ausschließlich entsprechend der technischen Daten in Zusammenhang mit den Sicherheitsbestimmungen und Vorschriften einzusetzen.

1 Lieferumfang

- 1 Kraftaufnehmer C9B
- 1 Montageanleitung
- 1 Prüfprotokoll

2 Allgemeine Anwendungshinweise

Die Kraftaufnehmer der Typenreihe C9B sind für Messungen von Druckkräften geeignet. Sie messen statische und dynamische Kräfte mit hoher Genauigkeit und verlangen daher eine umsichtige Handhabung. Besondere Aufmerksamkeit erfordern hierbei Transport und Einbau. Stöße oder Stürze können zu permanenten Schäden am Aufnehmer führen.

Die relativ dünne Gehäuseober- und Gehäuseunterseite dürfen nicht beschädigt werden, sonst wird der Aufnehmer unbrauchbar, siehe Abschnitt 3.2 auf Seite 26.

Die Grenzen für die zulässigen mechanischen, thermischen und elektrischen Beanspruchungen sind in den Technischen Daten aufgeführt. Bitte berücksichtigen Sie diese unbedingt bei der Planung der Messanordnung, beim Einbau und letztendlich im Betrieb.

3 Aufbau und Wirkungsweise

3.1 Aufnehmer

Der Messkörper ist eine Membran, auf der vier Dehnungsmessstreifen (DMS) so installiert sind, dass zwei gestaucht und zwei gedehnt werden. Über einen balligen Lastknopf wird die Kraft auf den Messkörper des C9B eingeleitet (siehe auch Seite 30). Durch die in Messrichtung wirkende Kraft wird die Membran mit den DMS elastisch verformt. Die DMS ändern proportional zu ihrer Längenänderung ihren ohmschen Widerstand und verstimmen die Wheatstone-Brücke. Liegt eine Brückenspeisespannung an, liefert die Schaltung ein Ausgangssignal, das proportional zur Widerstandsänderung ist und somit auch proportional zur aufgebrachten Kraft.

3.2 DMS-Abdeckung

Zum Schutz der DMS sind die Kraftaufnehmer C9B an der Unterseite und bei einigen Typen auch auf der Oberseite mit einem dünnen Blech verschweißt (Abb. 3.1). Dieses Verfahren bietet einen hohen Schutz der DMS gegen Umwelteinflüsse.

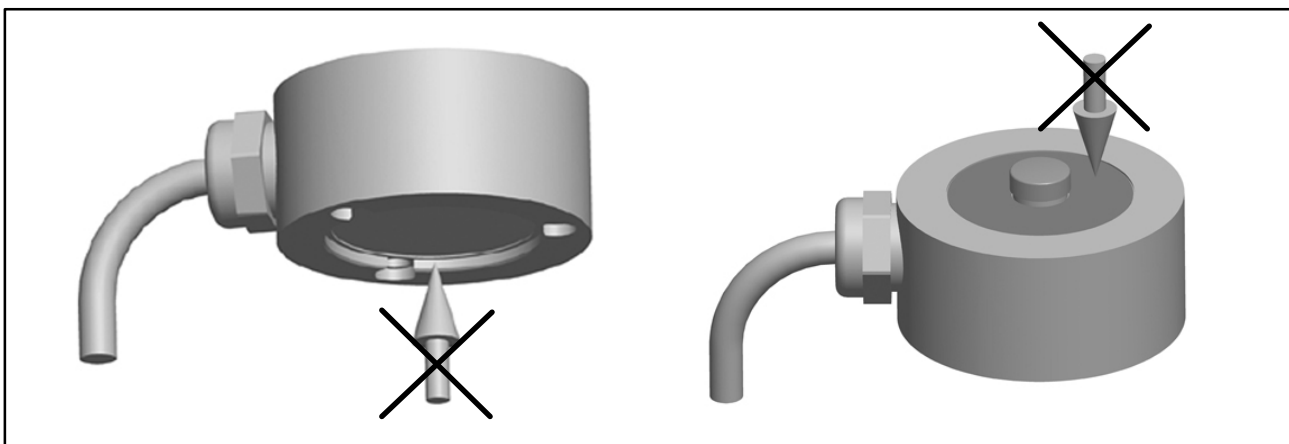


Abb. 3.1: Schutz der DMS

HINWEIS

Die relativ dünne Gehäuseoberseite (speziell in den Messbereichen bis 200 N) und die Unterseite (alle Messbereiche) des Aufnehmers dürfen nicht belastet werden. Die Grenzen für die zulässigen mechanischen, thermischen und elektrischen Beanspruchungen sind in den Technischen Daten aufgeführt. Sie müssen unbedingt eingehalten werden, sonst wird der Aufnehmer zerstört.

4 Bedingungen am Einbauort

Schützen Sie den Aufnehmer vor Witterungseinflüssen wie beispielsweise Regen, Schnee, Eis und Salzwasser.

4.1 Umgebungstemperatur

Die Temperatureinflüsse auf das Nullsignal sowie auf den Kennwert sind kompensiert.

Um optimale Messergebnisse zu erzielen, müssen Sie den Nenntemperaturbereich einhalten. Am besten sind konstante, allenfalls sich langsam ändernde Temperaturen. Temperaturbedingte Messfehler entstehen durch einseitige Erwärmung (z. B. Strahlungswärme) oder Abkühlung. Ein Strahlungsschild und allseitige Wärmedämmung bewirken merkliche Verbesserungen. Sie dürfen aber keinen Kraftnebenschluss bilden.



Tipp

Handwärme kann eine einseitige Erwärmung des Aufnehmers erzeugen. Durch solche Temperaturgradienten ändert sich z. B. der Nullpunkt des Aufnehmers. Wir empfehlen daher, nach einer solchen Erwärmung ca. 15 Minuten bis zum Beginn der Messung zu warten, so dass sich das thermische Gleichgewicht wieder herstellen kann.

4.2 Feuchtigkeits- und Korrosionsschutz

Kraftaufnehmer der Serie C9B sind hermetisch gekapselt und deshalb sehr unempfindlich gegen Feuchtigkeit. Die Aufnehmer erreichen die Schutzklasse IP67 nach DIN EN 60259 (Prüfbedingungen: 0,5 Stunden unter 1 m Wassersäule). Trotzdem sollten die Kraftaufnehmer gegen dauerhafte Feuchteinwirkung geschützt werden.

Das Gehäuse des Aufnehmers ist vollständig aus nichtrostendem Stahl hergestellt. Der Aufnehmer muss gegen Chemikalien geschützt werden, die den Stahl des Aufnehmerkörpers oder das Kabel (Polyurethan, PUR) angreifen.

Bei Kraftaufnehmern aus nichtrostendem Stahl ist zu beachten, dass Säuren und alle Stoffe, die Ionen freisetzen, auch nichtrostende Stähle und deren Schweißnähte angreifen. Die dadurch evtl. auftretende Korrosion kann zum Ausfall des Kraftaufnehmers führen. In diesem Fall sind entsprechende Schutzmaßnahmen vorzusehen.

HINWEIS

In das freie Ende des Anschlusskabels darf keine Feuchtigkeit eindringen. Andernfalls können sich die Kennwerte des Aufnehmers verändern und damit Fehlmessungen verursachen.

4.3 Ablagerungen

Staub, Schmutz und andere Fremdkörper dürfen sich nicht so ansammeln, dass sie einen Teil der Messkraft auf das Gehäuse umleiten und dadurch den Messwert verfälschen (Kraftnebenschluss).

4.4 Außendruck

Der Außendruck der Luft darf für die Aufnehmer mit Messbereichen ≥ 500 N zwischen 0 und 5 bar liegen. Beachten Sie bitte, dass Druckschwankungen den Nullpunkt verschieben können.

Nennkraft		N	kN						
		50...200 ^{*)}	0,5	1	2	5	10	20	50
Nullpunktänderung bei einer Umgebungsdruckänderung um 10 mbar (bezogen auf die Nennkraft)	%	0,01	0,01	0,006	0,01	0,004	0,002	0,002	0,001

^{*)} bei Einsatz im Druckbereich 800 ... 1200 mbar

5 Mechanischer Einbau

5.1 Wichtige Vorkehrungen beim Einbau

- Behandeln Sie den Aufnehmer schonend.
- Es dürfen keine Schweißströme über den Aufnehmer fließen. Sollte diese Gefahr bestehen, so müssen Sie den Aufnehmer mit einer geeigneten niederohmigen Verbindung elektrisch überbrücken. Hierzu bietet z. B. HBM das hochflexible Erdungskabel EEK an, das oberhalb und unterhalb des Aufnehmers angeschraubt wird.
- Stellen Sie sicher, dass der Aufnehmer nicht überlastet werden kann.



WARNUNG

Bei einer Überlastung des Aufnehmers besteht die Gefahr, dass der Aufnehmer bricht. Dadurch können Gefahren für das Bedienpersonal der Anlage auftreten, in die der Aufnehmer eingebaut ist.

Treffen Sie geeignete Sicherungsmaßnahmen zur Vermeidung einer Überlastung oder zur Sicherung gegen sich daraus ergebende Gefahren.

5.2 Allgemeine Einbaurichtlinien

Die zu messenden Kräfte müssen möglichst genau in Messrichtung auf den Aufnehmer wirken. Torsions- und Biegemomente, außermittige Belastungen und Querkräfte können zu Messfehlern führen und bei Überschreitung der Grenzwerte den Aufnehmer zerstören. Störeinflüsse müssen durch geeignete Konstruktionselemente abgefangen werden, wobei diese Elemente keine Kräfte in Messrichtung des Aufnehmers aufnehmen dürfen.



Wichtig

Die Kabelbefestigungsseite des Aufnehmers sollte immer direkt mit den starren kundenseitigen Kraftausleitungsbereichen verbunden sein. Achten Sie darauf, dass das Kabel so verlegt wird, dass möglichst kein Kraftnebenschluss durch das Kabel verursacht wird (z. B. durch das Gewicht oder die Steifigkeit des Kabels).

5.3 Einbau

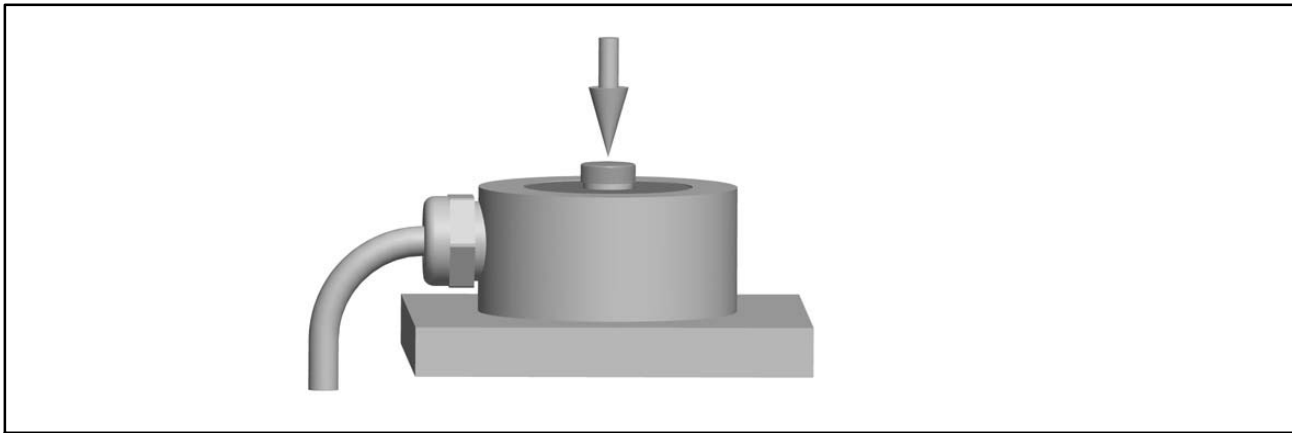


Abb. 5.1: Krafteinleitung

Die Krafteinleitung erfolgt über den balligen Lastknopf auf der Oberseite des Aufnehmers (Abb. 5.1).

Das Bauteil, welches die Kraft auf den balligen Lastknopf überträgt, muss sauber und geschliffen sein. Empfohlene Härte: 43HRC.

6 Elektrischer Anschluss

Zur Messsignalverarbeitung können angeschlossen werden:

- Trägerfrequenz-Messverstärker
- Gleichspannungs-Messverstärker

die für DMS-Messsysteme ausgelegt sind.

Der Kraftaufnehmer C9B wird mit Vierleiter-Technik ausgeliefert.

6.1 Anschluss in Vierleiter-Technik

Der Aufnehmer wird mit einem 1,5 m langen Kabel mit freien Enden geliefert.

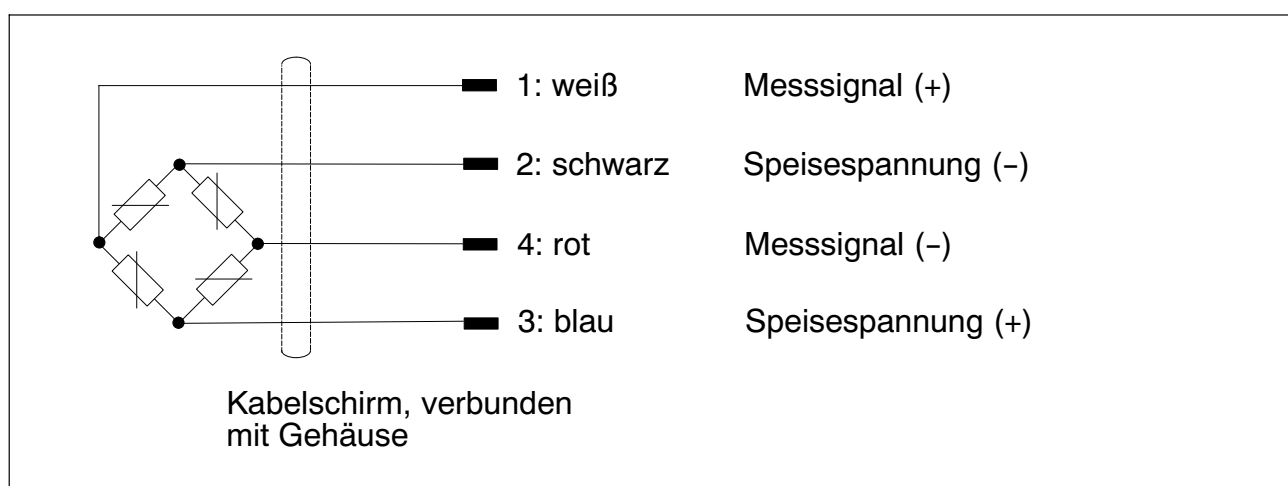


Abb. 6.1: Aufnehmer mit vieradrigem Anschlusskabel

Bei dieser Kabelbelegung ist bei Belastung des Aufnehmers in Druckrichtung die Ausgangsspannung am Messverstärker positiv. Falls Sie bei Druckbelastung des Aufnehmers eine negative Ausgangsspannung am Messverstärker benötigen, vertauschen Sie die beiden Messsignalleitungen.

Der Schirm des Anschlusskabels ist mit dem Aufnehmergehäuse verbunden. An Aufnehmer mit freiem Kabelende sind Stecker zu montieren, die den EMV-Richtlinien entsprechen. Die Schirmung ist dabei flächig aufzulegen. Bei anderen Anschlusstechniken ist im Litzenbereich eine EMV-feste Abschirmung vorzusehen, bei der ebenfalls die Schirmung flächig aufzulegen ist (siehe auch HBM-Greenline-Information, Druckschrift i1577).

6.2 Kabelkürzung

Das Kabel kann gekürzt werden, der Einfluss auf den Temperaturkoeffizienten des Kennwertes oder auf den Kennwert selbst ist gering.



Wichtig

Bei Aufnehmern der Nennlast 50 N, 100 N und 200 N befinden sich am Kabelende unter einem farbigen Schrumpfschlauch Abgleichwiderstände (für den Kennwertabgleich), die auf einer Leiterplatte montiert sind. Soll das Kabel gekürzt werden, müssen Sie die Leiterplatte entsprechend der Beschriftung auf der Leiterplatte wieder in die Anschlussleitung einlöten.

6.3 Kabelverlängerung

Verwenden Sie nur abgeschirmte, kapazitätsarme Messkabel zur Verlängerung. Achten Sie auf eine einwandfreie Verbindung mit geringem Übergangswiderstand. Wir empfehlen, die Verlängerung in Sechsheiter-Schaltung auszuführen, um Veränderungen des Kennwertes auszuschließen.

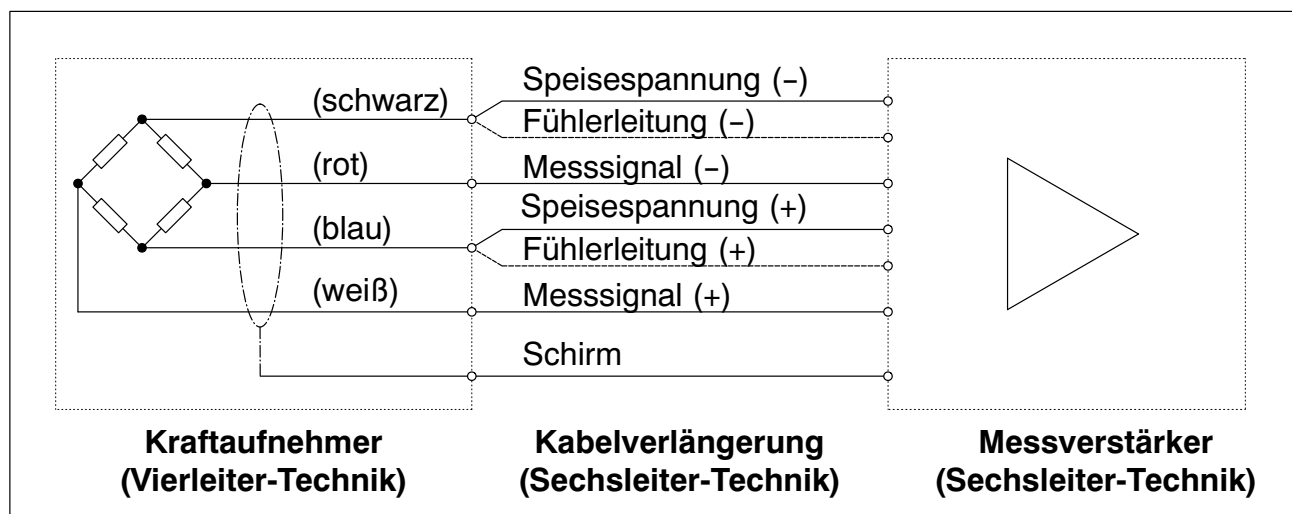


Abb. 6.2: Aufnehmeranschluss an Messverstärker in Sechsheiter-Technik

6.4 EMV-Schutz

Elektrische und magnetische Felder verursachen oft eine Einkopplung von Störspannungen in den Messkreis. Deshalb:

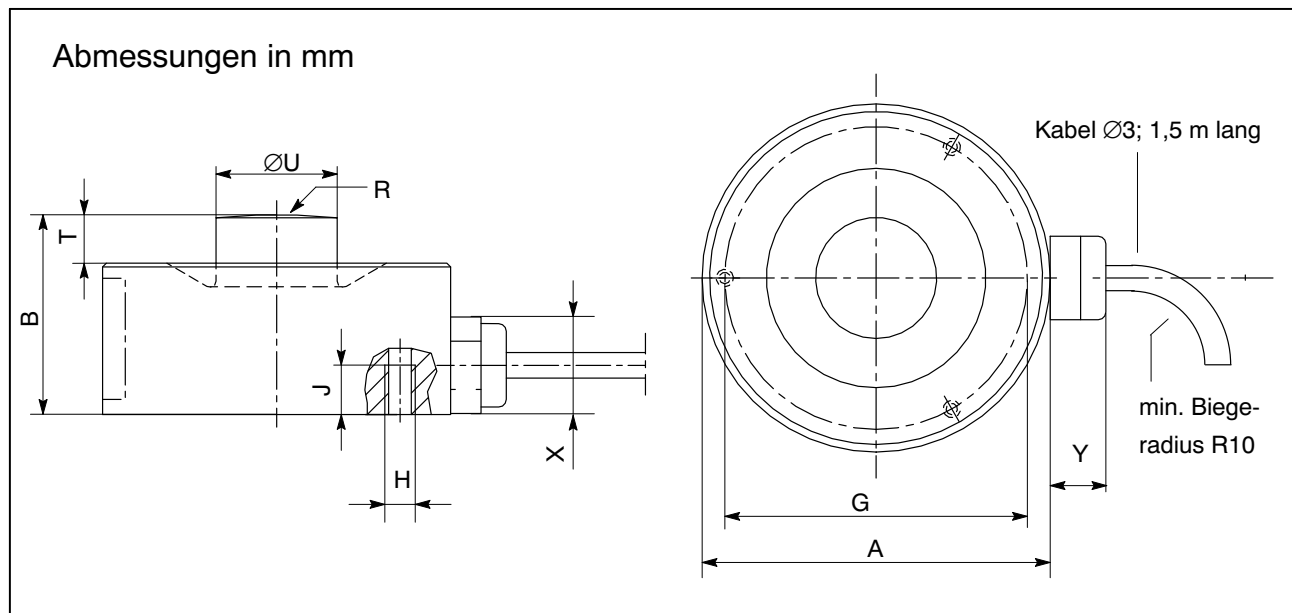
- Verwenden Sie nur abgeschirmte, kapazitätsarme Messkabel (HBM-Kabel erfüllen diese Bedingungen).
- Legen Sie die Messkabel nicht parallel zu Starkstrom- und Steuerleitungen. Falls das nicht möglich ist, schützen Sie das Messkabel, z. B. durch Stahlpanzerrohre.
- Meiden Sie Streufelder von Trafos, Motoren und Schützen.
- Erden Sie Aufnehmer, Verstärker und Anzeigegerät nicht mehrfach.
- Schließen Sie alle Geräte der Messkette an den gleichen Schutzleiter an.

7 Technische Daten (VDI/VDE 2638)

Typ	C9B											
Nennkraft	F_{nom}	N	50	100	200							
		kN				0,5	1	2	5	10	20	50
Nennkennwert	C_{nom}	mV/V	≤ 1									
Genauigkeitsklasse			0,5									
Relative Kennwertabweichung	d_C	%	≤ 1									
Relative Spannweite in unveränderter Einbaustellung	b_{rg}	%	$\leq \pm 0,5$									
Abweichung des Nullsignals	$d_{s,0}$	mV/V	$\pm 0,075$			$\pm 0,2$						
Relative Umkehrspanne (bei 0,5 F_{nom})	$v_{0,5}$	%	$\leq \pm 0,5$									
Rel. Linearitätsabweichung	d_{lin}	%	$\leq \pm 0,5$									
Rel. Kriechen über 30 min	d_{crF+E}	%	$\leq \pm 0,2$									
Temperatureinfluss auf den Kennwert pro 10 K im Nenntemperaturbereich im Gebrauchstemp.-bereich	TK_C	%	$\leq \pm 0,5$									
		%	$\leq \pm 0,8$									
Temperatureinfluss auf das Nullsignal pro 10 K im Nenntemperaturbereich im Gebrauchstemp.-bereich	TK_0	%	$\leq \pm 0,5$									
		%	$\leq \pm 0,8$									
Ausgangswiderstand	R_a	Ω	300 ... 400			< 350						
Eingangswiderstand	R_e	Ω	> 345			300 ... 400						
Isolationswiderstand	R_{is}	G Ω	> 10^9									
Referenzspeisespannung	U_{ref}	V	5									
Gebrauchsbereich der Speisespannung	$B_{U,G}$	V	0,5 ... 12									
Referenztemperatur	T_{ref}	$^{\circ}C$	+23									
Nenntemperaturbereich	$B_{T,nom}$	$^{\circ}C$	-10 ... +70									
Gebrauchstemperaturbereich	$B_{T,G}$	$^{\circ}C$	-30 ... +85									
Lagerungstemperaturbereich	$B_{T,S}$	$^{\circ}C$	-30 ... +85									
Maximale Gebrauchskraft	(F_G)	% v. F_{nom}	300			120						
Bruchkraft	(F_B)		> 400									
Statische Grenzquerkraft ¹⁾	(F_Q)		100			40						
Nennmessweg $\pm 15\%$	s_{nom}	mm	< 0,1				0,04	0,06	0,09	0,11	0,13	
Grundresonanzfrequenz $\pm 15\%$	f_G	kHz	7,3	10	15,7	3,5	5	7	13	15,1	20	12
Zulässige Schwingbeanspruchung (Schwingbreite nach DIN 50100)	F_{rb}	% v. F_{nom}	70									40
Gewicht, ca.	g		55			65			260			
Schutzart nach DIN EN 60529			IP67									
Kabellänge	m		1,5									

¹⁾ bezogen auf einen Kräfteinleitungspunkt 2 mm über der Membran

8 Abmessungen



Nennkraft C9B	A _{-0,1}	B	G _{±0,1}	H	J	R	T	U _{-0,1}	X	Y
50 ... 200 N	26	15	20,5	3xM3	6	20	2,5	5,5	ca. 10,5	ca. 5,5
0,5 ... 20 kN	26	13	22,75	3xM2	3,5	40	1	8	ca.10,5	ca. 5,5
50 kN	46	28	40	4xM4	6	80	8	16	ca.10,5	ca. 5,5

Sommaire	Page
Consignes de sécurité	36
1 Étendue de la livraison	41
2 Conseils d'utilisation généraux	41
3 Conception et fonctionnement	42
3.1 Capteur	42
3.2 Recouvrement de jauge	42
4 Conditions environnementales à respecter	44
4.1 Température ambiante	44
4.2 Protection contre l'humidité et la corrosion	44
4.3 Dépôts	45
4.4 Pression extérieure	45
5 Montage mécanique	46
5.1 Précautions importantes lors du montage	46
5.2 Directives de montage générales	46
5.3 Montage	47
6 Raccordement électrique	48
6.1 Raccordement en technique quatre fils	48
6.2 Raccourcissement de câble	49
6.3 Rallonge de câble	49
6.4 Protection CEM	49
7 Caractéristiques techniques (VDI/VDE 2638)	51
8 Dimensions	52

Consignes de sécurité

Utilisation conforme

Les capteurs de force de type C9B sont exclusivement conçus pour la mesure de forces en compression statiques et dynamiques dans le cadre des limites de charge spécifiées dans les caractéristiques techniques. Toute autre utilisation est considérée non conforme.

Pour garantir un fonctionnement sûr, il faut impérativement respecter les instructions de la notice de montage et du manuel d'emploi, de même que les consignes de sécurité ci-après et les données indiquées dans les caractéristiques techniques. De plus, il convient, pour chaque cas particulier, de respecter les règlements et consignes de sécurité correspondants.

Les capteurs de force ne sont pas destinés à être mis en œuvre comme éléments de sécurité. Reportez-vous à ce sujet au paragraphe "Mesures de sécurité supplémentaires". Afin de garantir un fonctionnement parfait et en toute sécurité des capteurs de force, il convient de veiller à un transport, un stockage, une installation et un montage appropriés et d'assurer un maniement scrupuleux.

Limites de capacité de charge

Lors de l'utilisation des capteurs de force, respecter impérativement les données fournies dans les caractéristiques techniques. Les charges maximales indiquées ne doivent notamment en aucun cas être dépassées. Il ne faut pas dépasser les valeurs indiquées dans les caractéristiques techniques pour les

- forces limites,
- forces transverses limites,
- forces de rupture,
- charges dynamiques admissibles,
- limites de température,
- limites de charge électrique.

En cas de branchement de plusieurs capteurs de force, il faut noter que la répartition des charges / des forces n'est pas toujours uniforme.

Utilisation en tant qu'éléments de machine

Les capteurs de force peuvent être utilisés en tant qu'éléments de machine. Dans ce type d'utilisation, il convient de noter que les capteurs de force ne peuvent pas présenter les facteurs de sécurité habituels en construction mécanique car l'accent est mis sur la sensibilité élevée. Reportez-vous à ce sujet au paragraphe "Limites de capacité de charge" et aux caractéristiques techniques.

Prévention des accidents

Bien que la force nominale indiquée dans la plage de destruction corresponde à un multiple de la pleine échelle, il est impératif de respecter les directives pour la prévention des accidents du travail éditées par les caisses professionnelles d'assurance accident.

Mesures de sécurité supplémentaires

Les capteurs de force ne peuvent déclencher (en tant que capteurs passifs) aucun arrêt (relatif à la sécurité). Il faut pour cela mettre en œuvre d'autres composants et procéder à des mesures constructives, tâches qui incombent à l'installateur et à l'exploitant de l'installation.

Si les capteurs de force risquent de blesser des personnes ou endommager des biens suite à une rupture ou un dysfonctionnement, l'utilisateur doit prendre des mesures de sécurité supplémentaires appropriées afin de répondre au moins aux exigences des directives pour la prévention des accidents du travail (par ex. dispositifs d'arrêt automatiques, limiteurs de charge, lanières ou chaînes de sécurité ou tout autre dispositif anti-chute).

L'électronique traitant le signal de mesure doit être conçue de manière à empêcher tout endommagement consécutif à une panne du signal.

Risques généraux en cas de non-respect des consignes de sécurité

Les capteurs de force correspondent au niveau de développement technologique actuel et présentent une parfaite sécurité de fonctionnement. Les capteurs peuvent représenter un danger s'ils sont montés, installés, utilisés et manipulés par du personnel non qualifié sans tenir compte des consignes de sécurité. Toute personne chargée de l'installation, de la mise en service, de l'utilisation ou de la réparation d'un capteur de force doit impérativement avoir lu et compris la notice de montage et notamment les informations relatives à la sécurité. En cas d'utilisation non conforme des capteurs de force, de non-respect de la notice de montage et du manuel d'emploi, ainsi que des présentes consignes de sécurité ou de toute autre consigne de sécurité applicable (par ex. les directives pour la prévention des accidents du travail éditées par les caisses professionnelles d'assurance accident) pour l'usage des capteurs de force, les capteurs de force peuvent être endommagés ou détruits. En cas de surcharges notamment, les capteurs de force peuvent se briser. En outre, la rupture d'un capteur de force peut endommager des biens ou blesser des personnes se trouvant à proximité du capteur de force.

Si les capteurs de force sont utilisés pour un usage non conforme ou si les consignes de sécurité ou encore les prescriptions de la notice de montage ou du manuel d'emploi sont ignorées, cela peut également entraîner une panne ou des dysfonctionnements des capteurs de force qui peuvent à leur tour pro-

voquer des préjudices corporels ou matériels (de par les charges agissant sur les capteurs de force ou celles surveillées par ces derniers).

Les performances du capteur et l'étendue de la livraison ne couvrent qu'une partie des techniques de mesure de force car les mesures effectuées avec des capteurs à jauges (résistifs) supposent l'emploi d'un traitement de signal électronique. La sécurité dans le domaine de la technique de mesure de force doit également être conçue, mise en œuvre et prise en charge par l'ingénieur/le constructeur/l'exploitant de manière à minimiser les dangers résiduels. Les dispositions correspondantes en vigueur doivent être respectées.

Le marquage suivant signale un risque *potentiel* qui – si les dispositions relatives à la sécurité ne sont pas respectées – *peut avoir* pour conséquence de graves blessures corporelles, voire la mort.

 AVERTISSEMENT**Description d'une situation potentiellement dangereuse**

Mesures pour éviter/prévenir le danger

Le marquage suivant signale un risque *potentiel* qui – si les dispositions relatives à la sécurité ne sont pas respectées – *peut avoir* pour conséquence des blessures corporelles de gravité minime ou moyenne.

 ATTENTION**Description d'une situation potentiellement dangereuse**

Mesures pour éviter/prévenir le danger

Le marquage suivant signale une situation qui – si les dispositions relatives à la sécurité ne sont pas respectées – *peut avoir* pour conséquence des dégâts matériels.

NOTE

Description d'une situation pouvant causer des dégâts matériels

Le marquage suivant signale que des informations importantes concernant le produit ou sa manipulation sont fournies.



Important

Remarques importantes

Le marquage suivant est associé à des conseils d'utilisation ou autres informations utiles.



Tipp

Information/Conseil d'utilisation

Transformations et modifications

Il est interdit de modifier le capteur sur le plan conceptuel ou celui de la sécurité sans accord explicite de notre part. Nous ne pourrions en aucun cas être tenus responsables des dommages qui résulteraient d'une modification quelconque.

Entretien

Le capteur de force C9B est sans entretien.

Élimination des déchets

Conformément aux réglementations nationales et locales en matière de protection de l'environnement et de recyclage, les capteurs hors d'usage doivent être éliminés séparément des ordures ménagères normales.

Pour plus d'informations sur l'élimination d'appareils, consultez les autorités locales ou le revendeur auprès duquel vous avez acheté le produit en question.

Personnel qualifié

Sont considérées comme personnel qualifié les personnes familiarisées avec l'installation, le montage, la mise en service et l'exploitation du produit, et disposant des qualifications correspondantes.

En font partie les personnes remplissant au moins une des trois conditions suivantes :

- Vous connaissez les concepts de sécurité de la technique d'automatisation et vous les maîtrisez en tant que chargé de projet.

- Vous êtes opérateur des installations d'automatisation et avez été formé pour pouvoir utiliser les installations. Vous savez comment utiliser les appareils et technologies décrits dans le présent document.
- En tant que personne chargée de la mise en service ou de la maintenance, vous disposez d'une formation vous autorisant à réparer les installations d'automatisation. Vous êtes en outre autorisé à mettre en service, mettre à la terre et marquer des circuits électriques et appareils conformément aux normes de la technique de sécurité.

De plus, il convient, pour chaque cas particulier, de respecter les règlements et consignes de sécurité correspondants. Ceci s'applique également à l'utilisation des accessoires.

Le capteur de force doit uniquement être manipulé par du personnel qualifié conformément aux caractéristiques techniques et aux consignes de sécurité.

1 Étendue de la livraison

- 1 capteur de force C9B
- 1 notice de montage
- 1 protocole d'essai

2 Conseils d'utilisation généraux

Les capteurs de force de type C9B sont adaptés pour des mesures de forces en compression. Ils mesurent les forces dynamiques et statiques avec une précision élevée et doivent donc être maniés avec précaution. Dans ce cadre, le transport et le montage doivent être réalisés avec un soin particulier. Les chocs et les chutes risquent de provoquer un endommagement irréversible du capteur.

Les parois supérieure et inférieure du boîtier, relativement fines, ne doivent pas être endommagées sous peine de rendre le capteur inutilisable. Voir paragraphe 3.2 à la page 42.

Les limites des sollicitations mécaniques, thermiques et électriques autorisées sont indiquées dans les caractéristiques techniques. Veuillez en tenir compte lors de la conception de l'agencement de mesure, lors du montage et en fonctionnement.

3 Conception et fonctionnement

3.1 Capteur

Le corps d'épreuve est constitué d'une membrane sur laquelle sont installées quatre jauges d'extensométrie de façon à ce que deux soient allongées et deux soient comprimées. La force est introduite sur le corps d'épreuve du C9B par une tête de charge convexe (voir également page 47). La force agissant dans la direction de mesure déforme la membrane de façon élastique et, par conséquent, les jauges. La résistance ohmique des jauges change alors de façon proportionnelle à la variation de longueur et déséquilibre ainsi le pont de Wheatstone. En présence d'une tension d'alimentation de pont, le circuit délivre un signal de sortie proportionnel à la variation de résistance et ainsi également proportionnel à la force appliquée.

3.2 Recouvrement de jauge

Pour protéger les jauges, le fond des capteurs de force C9B et, sur certains types, le dessus également, sont recouverts d'une fine plaque soudée (Fig. 3.1). Ce procédé offre une grande protection des jauges contre les influences ambiantes.

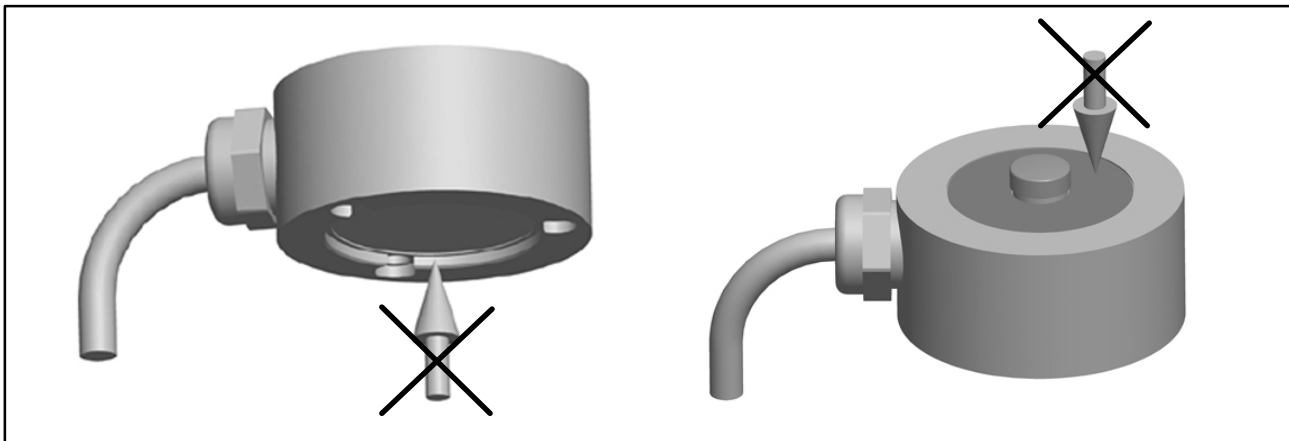


Fig. 3.1 Protection des jauges

NOTE

La partie supérieure relativement fine du boîtier (en particulier pour les étendues de mesure jusqu'à 200 N) ainsi que le fond du capteur (pour toutes les étendues de mesure) ne doivent pas être chargés. Les limites des sollicitations mécaniques, thermiques et électriques autorisées sont indiquées dans les caractéristiques techniques. Elles doivent impérativement être respectées. Sinon, le capteur sera détruit.

4 Conditions environnementales à respecter

Protéger le capteur des intempéries, telles que la pluie, la neige, le gel et l'eau salée.

4.1 Température ambiante

L'influence de la température sur le zéro et la sensibilité est compensée.

Il convient de respecter la plage nominale de température pour obtenir de meilleurs résultats de mesure. Le mieux est d'avoir des températures constantes ou, au pire, qui changent lentement. Les erreurs de mesure liées à la température sont causées par un échauffement, tel qu'une chaleur rayonnante, ou un refroidissement unilatéral. Un blindage anti-rayonnement et une isolation thermique de tous les côtés permettent une nette amélioration, mais ils ne doivent pas former un shunt.



Tipp

La chaleur des mains peut engendrer un réchauffement du capteur sur un seul côté. De tels gradients de température modifient par exemple le point zéro du capteur. C'est pourquoi, après un tel échauffement, nous conseillons d'attendre environ 15 minutes avant de commencer la mesure pour que l'équilibre thermique puisse se rétablir.

4.2 Protection contre l'humidité et la corrosion

Les capteurs de force de la série C9B sont fermés hermétiquement et sont donc particulièrement insensibles à l'humidité. Les capteurs atteignent la classe de protection IP67 selon DIN EN 60259 (conditions d'essai : 0,5 heure sous 1 m de colonne d'eau). Les capteurs de force doivent toutefois être protégés contre une présence permanente d'humidité.

Le boîtier du capteur est entièrement constitué d'acier inoxydable. Le capteur doit être protégé contre les produits chimiques susceptibles d'attaquer l'acier du corps du capteur ou le câble (polyuréthane, PUR).

Pour les capteurs de force en acier inoxydable, il faut noter que les acides et toutes les substances libérant des ions attaquent également les aciers inoxydables et leurs cordons de soudure. La corrosion éventuelle qui peut en résulter est susceptible d'entraîner la défaillance du capteur de force. Dans ce cas, il faut prévoir des mesures de protection appropriées.

NOTE

Aucune humidité ne doit pénétrer dans l'extrémité libre du câble de liaison. Sinon, cela peut modifier les valeurs caractéristiques du capteur et conduire ainsi à des mesures erronées.

4.3 Dépôts

La poussière, la saleté et autres corps étrangers ne doivent pas s'accumuler sous peine de dévier une partie de la force de mesure sur le boîtier et ainsi de fausser la valeur de mesure (shunt).

4.4 Pression extérieure

Pour les capteurs avec des étendues de mesure ≥ 500 N, la pression extérieure de l'air doit être comprise entre 0 et 5 bars. Noter que des modifications de pression peuvent entraîner un décalage du point zéro.

Force nominale		N	kN						
		50...200 ^{*)}	0,5	1	2	5	10	20	50
Variation du point zéro pour un changement de pression ambiante de 10 mbars (rapportée à la force nominale)	%	0,01	0,01	0,006	0,01	0,004	0,002	0,002	0,001

^{*)} Pour une utilisation dans la plage de pression de 800 à 1200 mbars

5 Montage mécanique

5.1 Précautions importantes lors du montage

- Manipuler le capteur avec précaution.
- Aucun courant de soudage ne doit traverser le capteur. Si cela risque de se produire, le capteur doit être shunté électriquement à l'aide d'une liaison de basse impédance appropriée. HBM propose par ex. à cet effet le câble de mise à la terre EEK extrêmement flexible qui se visse au-dessus et en dessous du capteur.
- S'assurer que le capteur ne peut pas être surchargé.

AVERTISSEMENT

En cas de surcharge du capteur, ce dernier risque de se briser. Cela peut être dangereux pour les opérateurs de l'installation dans laquelle le capteur est monté.

Prendre des mesures de protection appropriées pour éviter toute surcharge ou pour se protéger des risques qui pourraient en découler.

5.2 Directives de montage générales

Les forces à mesurer doivent, autant que possible, agir précisément sur le capteur dans le sens de la mesure. Les moments de torsion et de flexion, les charges excentrées et les forces transverses risquent d'entraîner des erreurs de mesure et de détruire le capteur lors d'un dépassement des valeurs limites. Les influences perturbatrices doivent être empêchées par des éléments de construction appropriés, ces éléments ne devant toutefois pas capter de forces dans le sens de mesure du capteur.



Important

Le côté de fixation du câble du capteur doit toujours être relié directement aux zones de transfert de force rigides côté client. Veiller à ce que le câble soit posé de façon à ce qu'il engendre le moins de shunt possible (par ex. de par son poids ou la rigidité du câble).

5.3 Montage

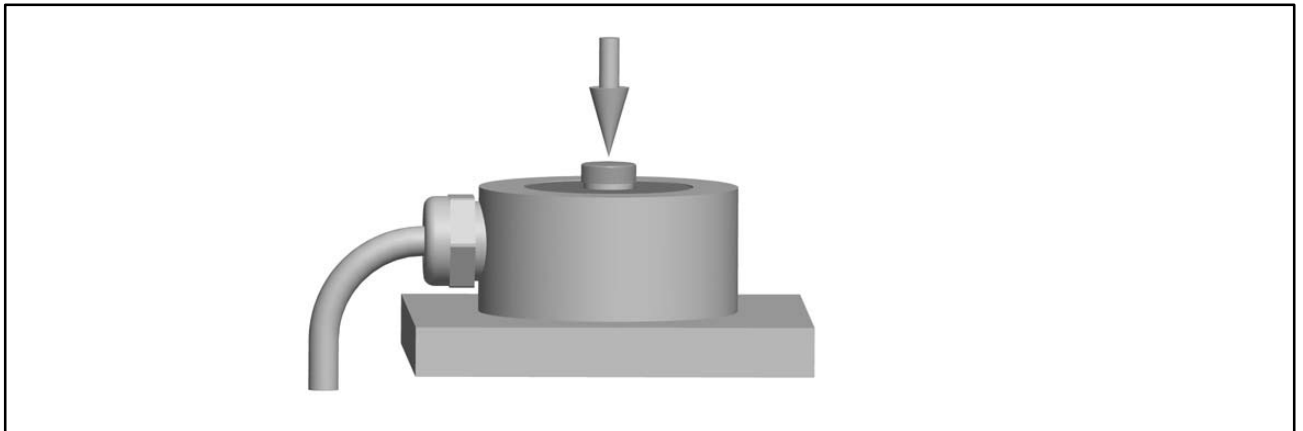


Fig. 5.1 : Introduction de force

La force est introduite par la tête de charge convexe située sur le dessus du capteur (Fig. 5.1).

Le composant qui transmet la force à la tête de charge convexe doit être propre et rectifié. Dureté recommandée : 43HRC.

6 Raccordement électrique

Pour traiter les signaux de mesure, il est possible de raccorder :

- des amplificateurs à fréquence porteuse,
- des amplificateurs à courant continu,

convenant aux systèmes de mesure à jauges d'extensométrie.

Le capteur de force C9B est livré en technique quatre fils.

6.1 Raccordement en technique quatre fils

Le capteur est fourni avec un câble de 1,5 m à extrémités libres.

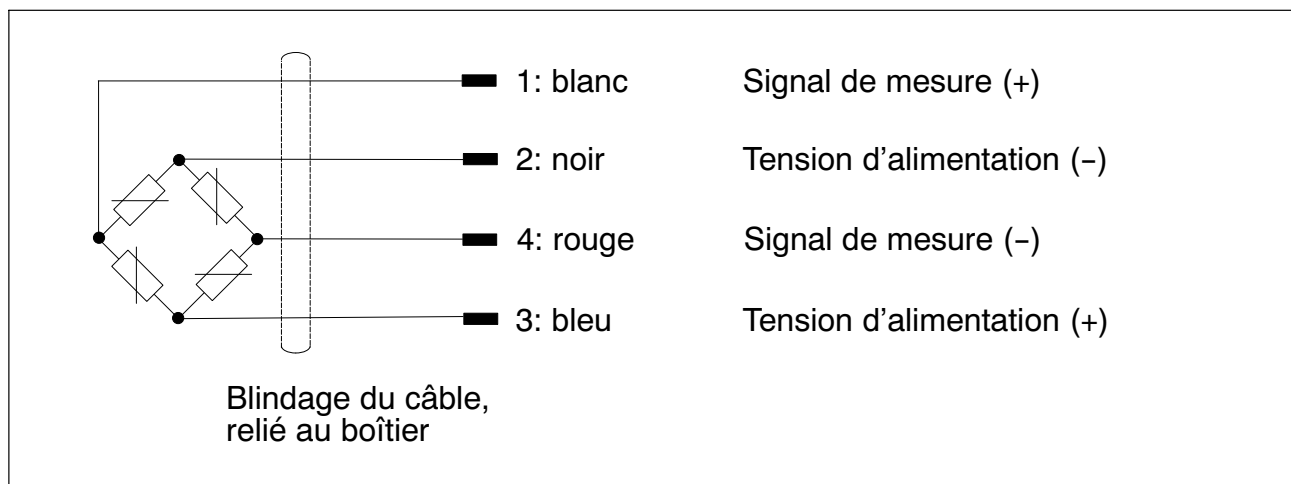


Fig. 6.1 Capteur avec câble de liaison à quatre fils

Avec ce code de câblage, la tension de sortie de l'amplificateur de mesure est positive lorsque le capteur est sollicité en compression. S'il est nécessaire d'avoir une tension de sortie négative de l'amplificateur de mesure lorsque le capteur est sollicité en compression, il suffit d'invertir les deux câbles de signaux de mesure.

Le blindage du câble de liaison est relié au boîtier du capteur. Monter des connecteurs mâles conformes aux directives CEM sur les capteurs à extrémités libres. Le blindage doit alors être posé en nappe. Pour les autres techniques de raccordement, il faut prévoir un blindage conforme CEM dans la zone des fils torsadés, celui-ci devant également être posé en nappe (voir aussi les informations Greenline de HBM, brochure i1577).

6.2 Raccourcissement de câble

Il est possible de raccourcir le câble car cela a peu d'influence sur le coefficient de température de la sensibilité ou sur la sensibilité elle-même.



Important

Sur les capteurs de charge nominale de 50 N, 100 N et 200 N, l'extrémité de câble est dotée, sous une gaine thermorétractable, de résistances d'équilibrage (pour l'équilibrage de la sensibilité) montées sur un circuit imprimé. Si le câble doit être raccourci, il faut ressouder le circuit imprimé au fil de liaison conformément à l'inscription figurant sur le circuit imprimé.

6.3 Rallonge de câble

Utiliser uniquement des câbles de mesure blindés de faible capacité comme rallonges. Veiller à obtenir une connexion parfaite avec une faible résistance de contact. Nous recommandons de réaliser la rallonge en liaison six fils afin d'éviter toute modification de la sensibilité.

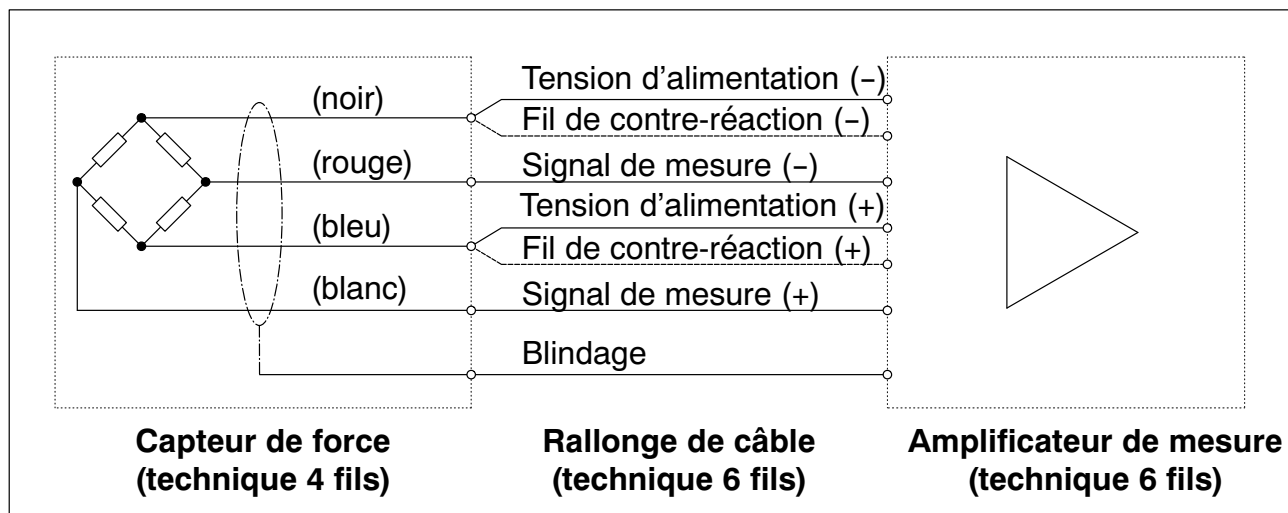


Fig. 6.2 Raccordement du capteur à l'amplificateur en technique 6 fils

6.4 Protection CEM

Les champs électriques et magnétiques provoquent souvent le couplage de tensions parasites dans le circuit de mesure. C'est pourquoi il faut :

- utiliser uniquement des câbles de mesure blindés de faible capacité (les câbles HBM satisfont à ces conditions),

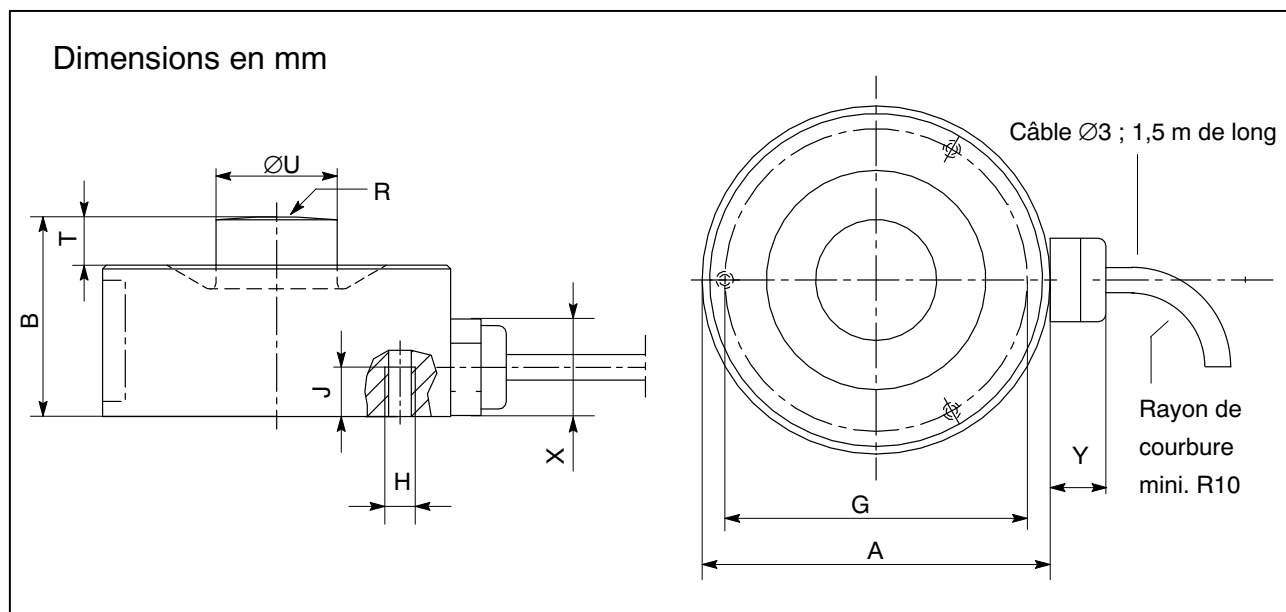
- ne pas poser les câbles de mesure en parallèle avec des câbles de commande et de puissance. Si cela n'est pas possible, protéger le câble de mesure, par ex. à l'aide de tubes d'acier blindés,
- éviter les champs de dispersion des transformateurs, moteurs et vannes,
- ne pas mettre plusieurs fois à la terre le capteur, l'amplificateur et l'unité d'affichage,
- raccorder tous les appareils de la chaîne de mesure au même fil de terre.

7 Caractéristiques techniques (VDI/VDE 2638)

Type	C9B											
Force nominale	F_{nom}	N	50	100	200							
		kN				0,5	1	2	5	10	20	50
Sensibilité nominale	C_{nom}	mV/V	≤ 1									
Classe de précision			0,5									
Écart relatif de la sensibilité	d_C	%	≤ 1									
Erreur relative de répétabilité sans rotation	b_{rg}	%	$\leq \pm 0,5$									
Déviation du zéro	$d_{s,0}$	mV/V	$\pm 0,075$			$\pm 0,2$						
Erreur de réversibilité relative (pour 0,5 F_{nom})	$v_{0,5}$	%	$\leq \pm 0,5$									
Erreur relative de linéarité	d_{lin}	%	$\leq \pm 0,5$									
Fluage relatif sur 30 min	d_{crF+E}	%	$\leq \pm 0,2$									
Influence de la température sur la sensibilité par 10 K dans la plage nominale de température	TK_C	%	$\leq \pm 0,5$									
		%	$\leq \pm 0,8$									
Influence de la température sur le zéro par 10 K dans la plage nominale de température	TK_0	%	$\leq \pm 0,5$									
		%	$\leq \pm 0,8$									
Résistance de sortie	R_s	Ω	300 ... 400			< 350						
Résistance d'entrée	R_e	Ω	> 345			300 ... 400						
Résistance d'isolement	R_{is}	G Ω	> 10^9									
Tension d'alimentation de référence	U_{ref}	V	5									
Plage utile de la tension d'alimentation	$B_{U,G}$	V	0,5 ... 12									
Température de référence	T_{ref}	°C	+23									
Plage nominale de température	$B_{T,nom}$	°C	-10 ... +70									
Plage utile de température	$B_{T,G}$	°C	-30 ... +85									
Plage de température de stockage	$B_{T,S}$	°C	-30 ... +85									
Force utile maximale	(F_G)	% de F_{nom}	300			120						
Force de rupture	(F_B)		> 400									
Force transverse statique relative limite ¹⁾	(F_Q)		100			40						
Déplacement nominal $\pm 15\%$	s_{nom}	mm	< 0,1			0,04	0,06	0,09	0,11	0,13		
Fréquence de résonance fondamentale $\pm 15\%$	f_G	kHz	7,3	10	15,7	3,5	5	7	13	15,1	20	12
Contrainte ondulée admissible (amplitude vibratoire selon DIN 50100)	F_{rb}	% de F_{nom}	70									40
Poids, approx.			55			65						260
Degré de protection selon DIN EN 60529			IP67									
Longueur de câble			1,5									

1) Par rapport à un point d'introduction de force à 2 mm au-dessus de la membrane

8 Dimensions



Force nom. C9B	A _{-0,1}	B	G _{±0,1}	H	J	R	T	U _{-0,1}	X	Y
50 ... 200 N	26	15	20,5	3xM3	6	20	2,5	5,5	env. 10,5	env. 5,5
0,5 ... 20 kN	26	13	22,75	3xM2	3,5	40	1	8	env. 10,5	env. 5,5
50 kN	46	28	40	4xM4	6	80	8	16	env. 10,5	env. 5,5

© Hottinger Baldwin Messtechnik GmbH.

All rights reserved.

All details describe our products in general form only.

They are not to be understood as express warranty and do not constitute any liability whatsoever.

Änderungen vorbehalten.

Alle Angaben beschreiben unsere Produkte in allgemeiner Form. Sie stellen keine Beschaffenheits- oder Haltbarkeitsgarantie im Sinne des §443 BGB dar und begründen keine Haftung.

Document non contractuel.

Les caractéristiques indiquées ne décrivent nos produits que sous une forme générale. Elles n'établissent aucune assurance formelle au terme de la loi et n'engagent pas notre responsabilité.

Hottinger Baldwin Messtechnik GmbH

Im Tiefen See 45 • 64293 Darmstadt • Germany

Tel. +49 6151 803-0 • Fax: +49 6151 803-9100

Email: info@hbm.com • www.hbm.com

measure and predict with confidence

