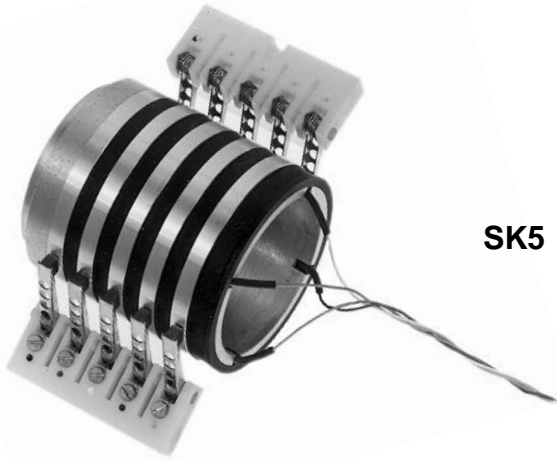


SK5, SK6, SK12

Slipring Assemblies



SK5

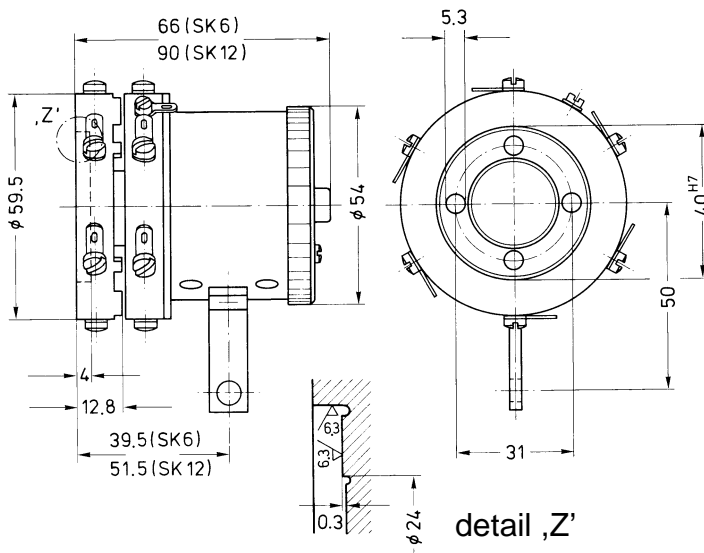


SK6

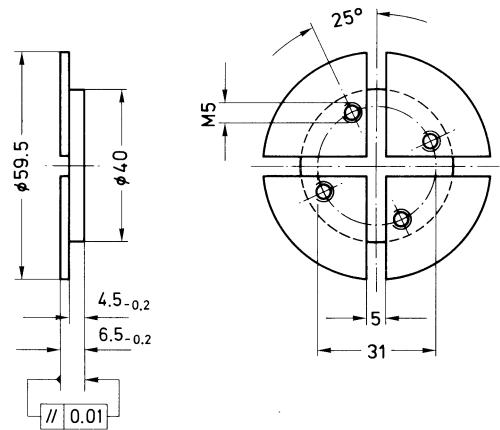
Special features

- Low wear
- High transmission quality
- SK 6 and SK 12 for mounting to stub shafts with easy-lift brush assemblies
- SK 5 for central mounting on shafts
- Low thermal voltages
- Very low change in contact resistance

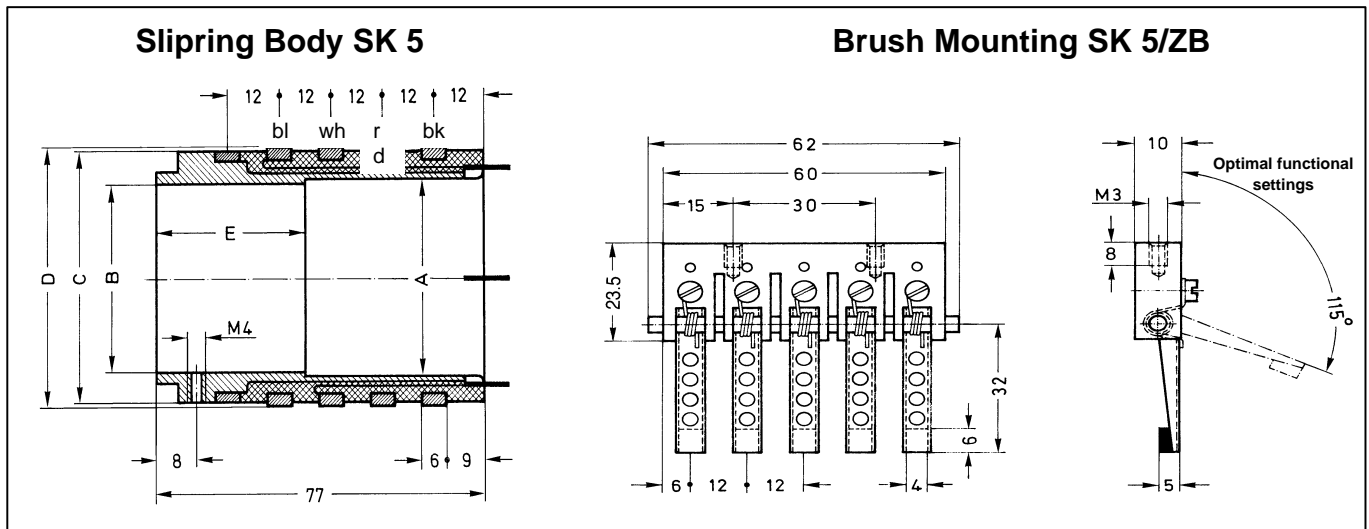
Slipring Heads SK 6 and SK 12



Mounting plate



Dimensions (in mm, 1mm = 0.03937inches)



Type	Max. shaft- \varnothing in mm	Dimensions in mm					Weight in kg	Permissible speed in min^{-1}	
		$\varnothing B$	$\varnothing A$	$\varnothing C$	$\varnothing D$	E		Continuous operation	Short-term operation
SK 5/40	40	40 ^{M6}	42	54	55	35	0,23	6000	8000
SK 5/55	55	55 ^{M6}	55,1	68	69	40	0,31	6000	8000
SK5/95	95	95 ^{N6}	95,1	115	116	40	0,67	4000	6000

Specifications

Type		SK 5	SK 6	SK 12
Number of slippings		5	6	12
Resistance between slippings and brush	$\text{m}\Omega$	<40	<40	<40
Fluctuation of the resistance	$\text{m}\Omega$	<2	<2	<2
Thermo-electric voltage measured between two brushes when the slippings are short-circuited (after running warm)	μV	<10	<10	<10
Voltage limit	V	60	60	60
Current limit	A	2	2	2
Permitted speed for continuous duty	min^{-1}	4000/6000 ¹⁾	6000	6000
Permissible vibration , Test severity to DIN 40046, Part 8				
Frequency range	Hz	10...55	5...65	5...65
Duration	h	1.5	0.5	0.5
Acceleration	m/s^2	50	150	150
Mechanical shocktest ²⁾ Test severity to DIN 40046, Part 26				
Number of shocks		1000	1000	1000
Duration	ms	3	3	3
Acceleration	m/s^2	150	200	200
Moment of mass inertia , I_x (axial)	gm^2		0.082	0.087
Nominal temperature range ³⁾	$^{\circ}\text{C}$	-10...+60	-10...+60	-10...+60
Service temperature range ⁴⁾	$^{\circ}\text{C}$	-10...+90	-10...+70	-10...+70
Storage temperature range	$^{\circ}\text{C}$	-50...+90	-50...+90	-50...+90
Weight	kg	see above	approx. 0.55	approx. 0.65

¹⁾ 4000 min^{-1} for SK5/95, 6000 min^{-1} for SK5/40 and SK5/55

²⁾ No change in technical data was observed after the shock test.

³⁾ Permissible ambient temperature = $(60 - 0,002 \cdot n) ^{\circ}\text{C}$; n in min^{-1}

⁴⁾ Permissible ambient temperature = $(70 - 0,002 \cdot n) ^{\circ}\text{C}$; n in min^{-1}

Modifications reserved.
All details describe our products in general form only. They are not to be understood as express warranty and do not constitute any liability whatsoever.

Hottinger Baldwin Messtechnik GmbH

Postfach 10 01 51, D-64201 Darmstadt
Im Tiefen See 45, D-64293 Darmstadt
Tel.: +49/61 51/ 8 03-0; Fax: +49/61 51/ 8039100
E-mail: support@hbm.com www.hbm.com



measurement with confidence